

# TABLE OF CONTENTS

# REVISION HISTORY

D01 INITIAL RELEASE 2/26/85

1 TABLE OF CONTENTS/REVISION HISTORY  
 2 CLOCK INPUTS AND FREE RUNNING OUTPUTS PLUS 'SPECIAL' CLOCKS  
 3 SEQUENCE CLOCKS  
 4 ROM  
 5 ROM DECODE  
 6 LAS-LOGICAL ADDR BUS SAVE REGISTER AND INDIRECT PATH  
 7 LOGICAL ADDR BUS ARBITER AND LAS FULL FLAG  
 8 DISPATCH REGISTER, VS CONTROL  
 9 INTERRUPT LOGIC, AND ROM ADDRESS SAVE REG  
 10 NEXT ROM ADDRESS SELECTION  
 11 ALIGNMENT CHECK AND NEXT ROM ADDRESS SELECTION  
 12 PRIMARY ADDER, BASE, INDEX REGISTERS  
 13 ADDRESS OFFSET GENERATION  
 14 VECTOR STRIDE AND VECTOR LENGTH LOGIC  
 15 ABUS SOURCE SELECTION FOR PRIMARY ADDER  
 16 SRC BUS REGISTER AND PARITY GENERATOR  
 17 ROTATION AND MERGE BASE SELECTION CODES  
 18 ATF CONTROL AND LEVEL 2 TAG STORE  
 19 ATF BUS - ADDRESS TRANSLATION PATH  
 20 ATF FAULT DETECTION  
 21 MERGE AND ROTATION CONTROLS  
 22 ZONE CONTROL  
 23 MEMORY CONTROL QUEUE  
 24 LCACHE ADDRESS QUEUE  
 25 MEMORY QUEUE CONTROLLER  
 26 DATA SIZE/VALID SELECTION, MEM REQ, AND STORE HAZARD COUNTER

27 BUS ARBITER  
 28 BUS ARBITER  
 29 SDS CONTROL  
 30 LCACHE CONTROL  
 31 LCACHE DATA, ADDRESS, AND PRIMARY TAG STORE  
 32 LCACHE REQUEST TAG  
 33 MERGE - B  
 34 MERGE - A  
 35 ROTATE B  
 36 ROTATE A  
 37 DBUS INTERFACE & SCAN CONTROL MUX'S  
 38 BOARD ID AND ERROR REGISTER  
 39 SOURCE AND DST BUS  
 40 SOURCE AND DST BUS  
 41 LOGICAL ADDRESS BUS & PERFORMANCE MONITOR  
 42 CONTROL AND BUS ARBITRATION  
 43 DBUS, PHYSICAL ADDRESS BUS  
 44 ROM EMULATOR LSW  
 45 ROM EMULATOR MSW  
 46  
 47 SPARES  
 48 SPARES  
 49 MRGREG BODY  
 50 PMRG BODY  
 51 PMRG32 BODY

THIS DOCUMENT CONTAINS INFORMATION PROPRIETARY TO CONVEX COMPUTER CORPORATION (CONVEX). USE OR DISCLOSURE WITHOUT THE WRITTEN PERMISSION OF AN OFFICER OF CONVEX IS EXPRESSLY FORBIDDEN. COPYRIGHT (C) CONVEX 1985

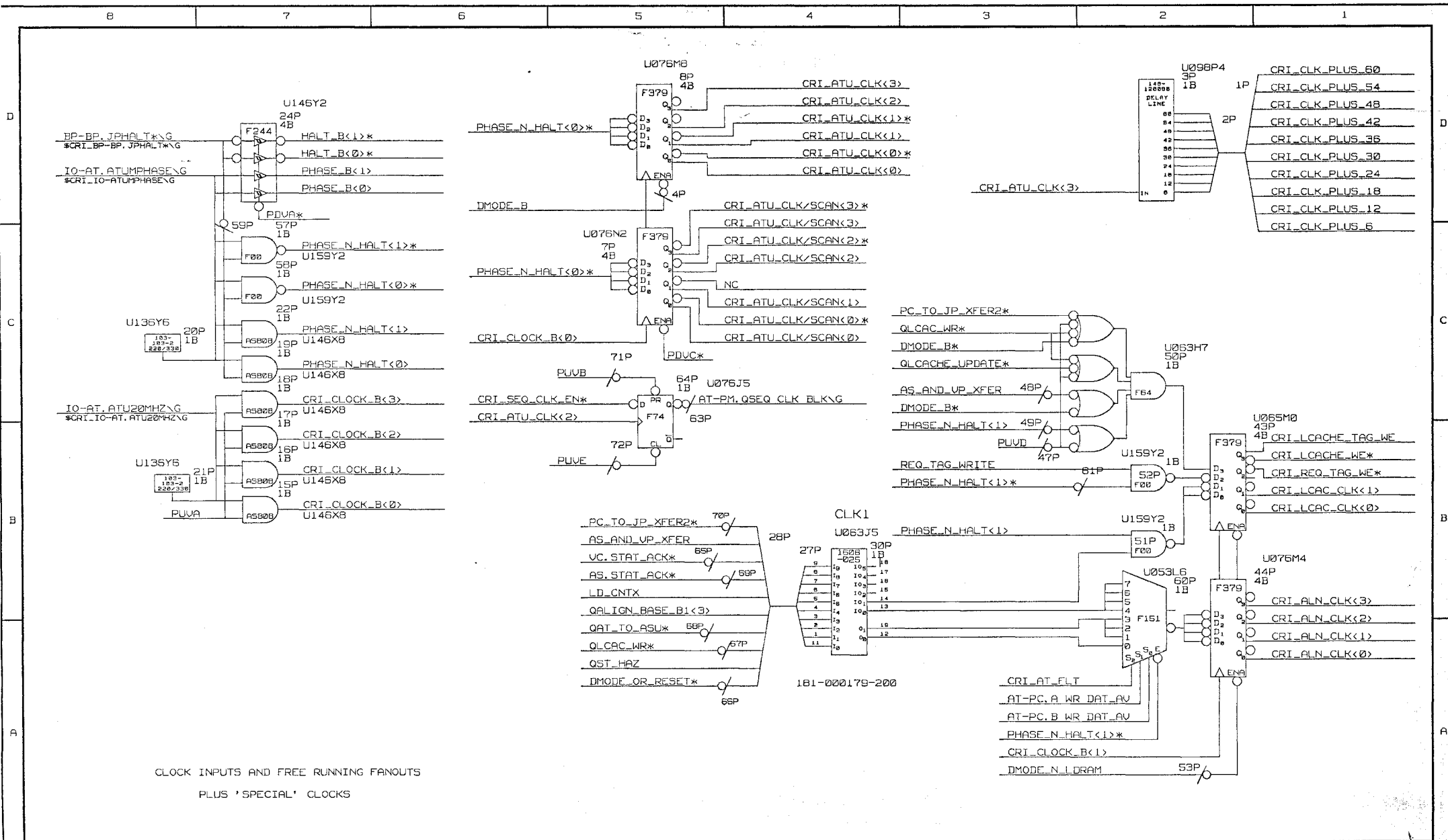
DEFINE  
 M\_STEP#012E



TITLE: ATU  
 DRAWING: 410-000125-300 REV D01

ABBR: ATU  
 ENGR: CHASTAIN

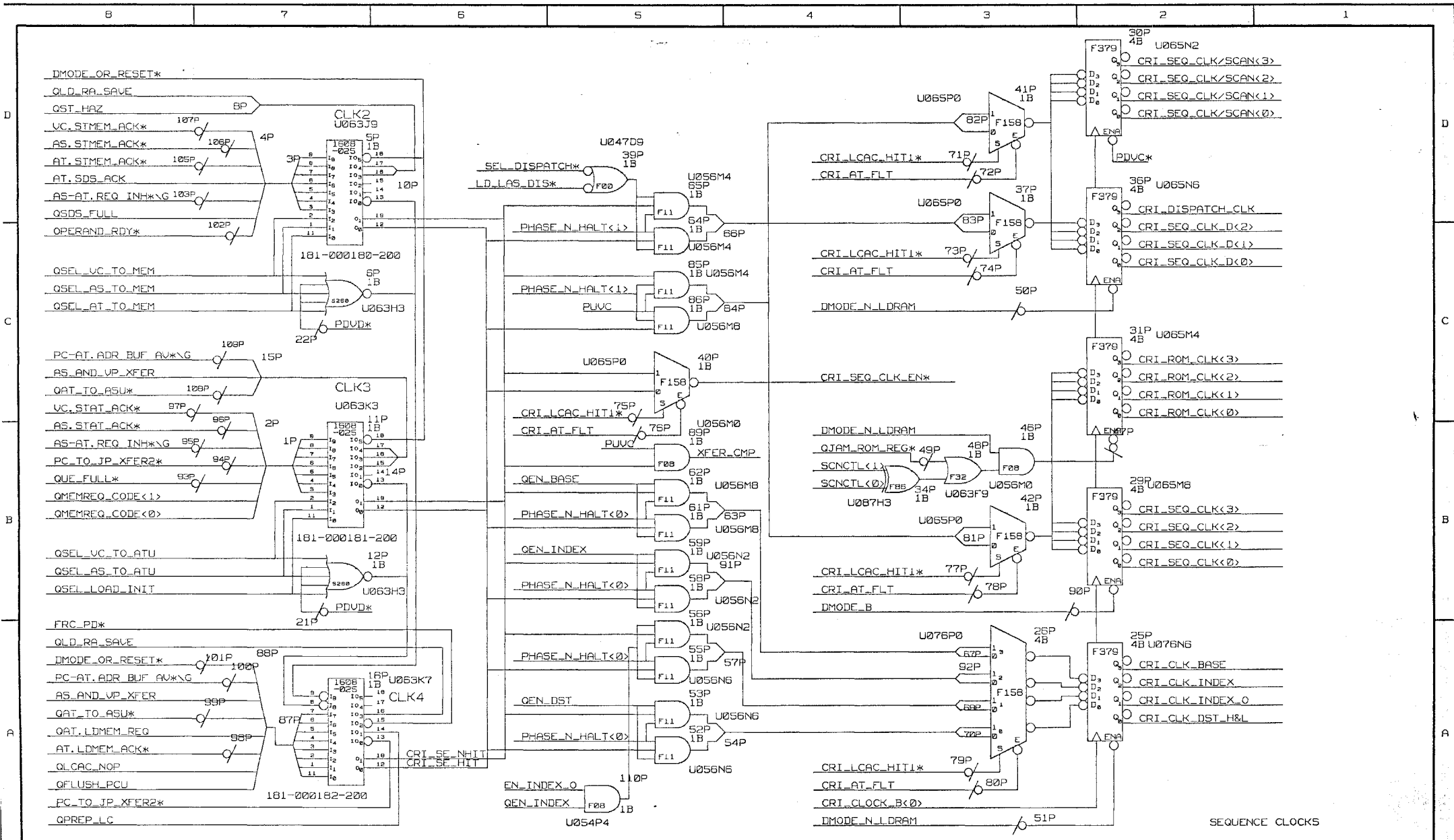
REVISED: Mon Feb 25 12:41:47 1985 PAGE: 1 OF 46



THIS DOCUMENT CONTAINS INFORMATION PROPRIETARY TO CONVEX COMPUTER CORPORATION (CONVEX). USE OR DISCLOSURE WITHOUT THE WRITTEN PERMISSION OF AN OFFICER OF CONVEX IS EXPRESSLY FORBIDDEN. COPYRIGHT (C) CONVEX 1985



TITLE: ATU	ABBR: ATU
DRAWING: 410-000125-300 REV D01	ENGR: CHASTAIN
REVISED: Tue Feb 12 08:55:47 1985	PAGE: ATU.2

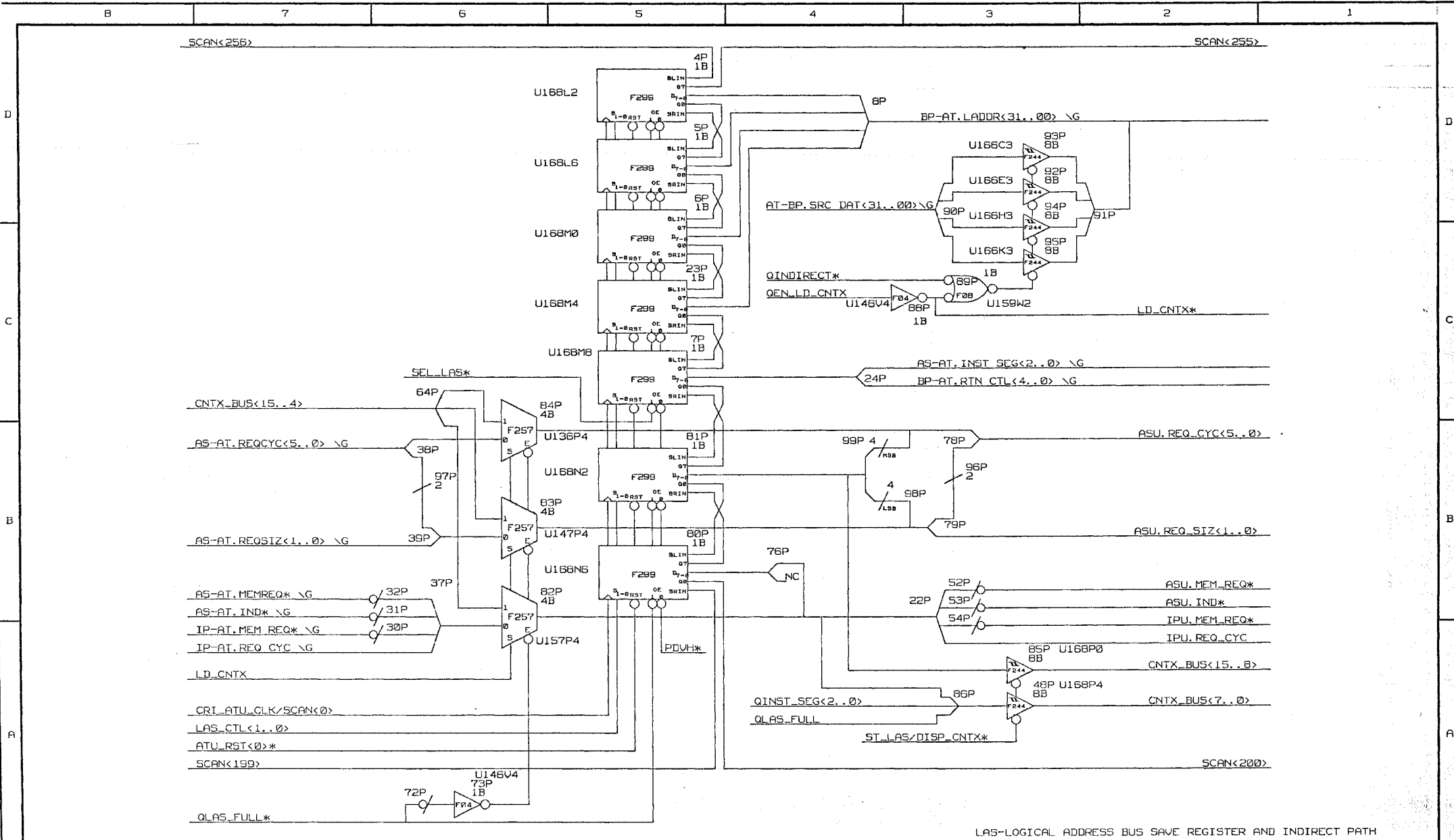


THIS DOCUMENT CONTAINS INFORMATION PROPRIETARY TO CONVEX COMPUTER CORPORATION (CONVEX). USE OR DISCLOSURE WITHOUT THE WRITTEN PERMISSION OF AN OFFICER OF CONVEX IS EXPRESSLY FORBIDDEN. COPYRIGHT (C) CONVEX 1985



TITLE: ATU	ABBR: ATU
DRAWING: 410-000125-300 REV D01	ENGR: CHASTAIN
REVISED: Tue Feb 12 11:08:29 1985	PAGE: ATU.3





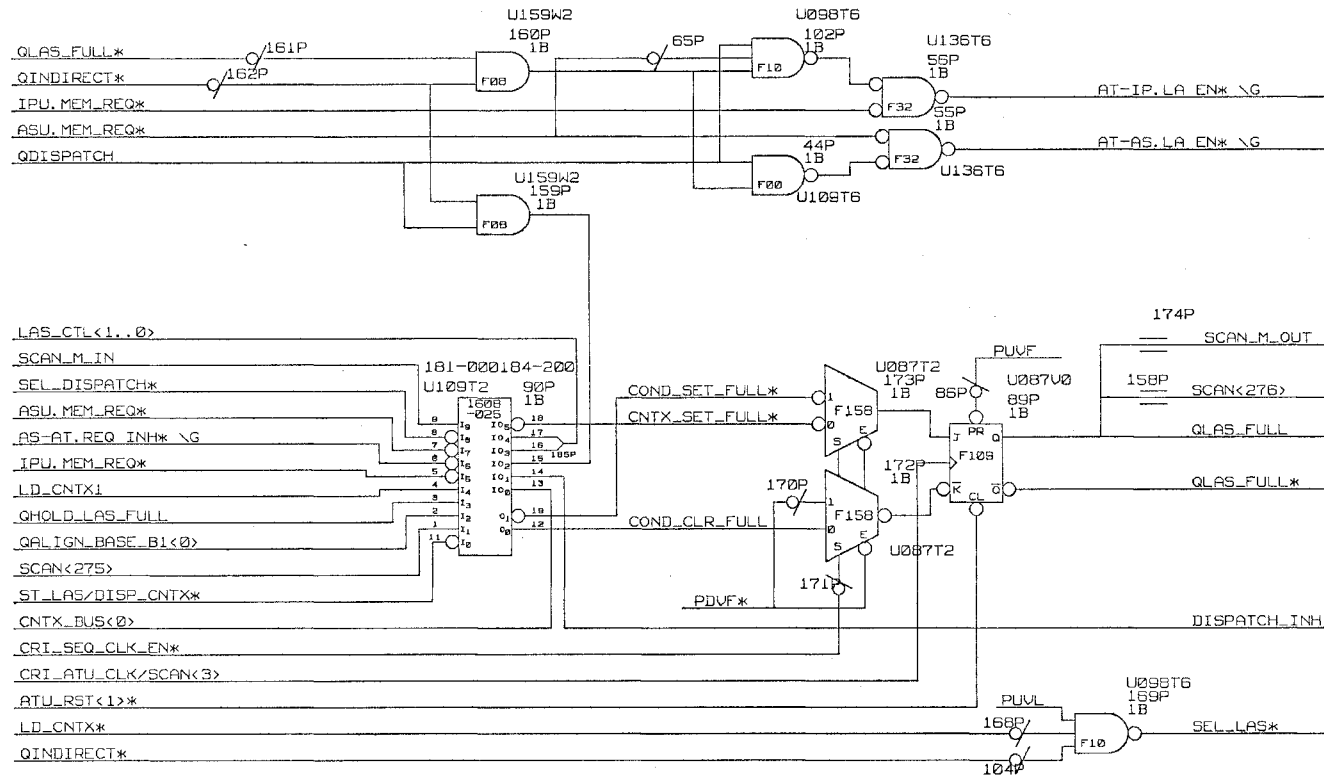
LAS-LOGICAL ADDRESS BUS SAVE REGISTER AND INDIRECT PATH

THIS DOCUMENT CONTAINS INFORMATION PROPRIETARY TO CONVEX COMPUTER CORPORATION (CONVEX). USE OR DISCLOSURE WITHOUT THE WRITTEN PERMISSION OF AN OFFICER OF CONVEX IS EXPRESSLY FORBIDDEN. COPYRIGHT (C) CONVEX 1985



TITLE: ATU	ABBR: ATU
DRAWING: 410-000125-300 REV D01	ENGR: CHASTAIN
REVISED: Tue Feb 12 10:48:19 1985	PAGE: ATU.6

8 7 6 5 4 3 2 1



LOGICAL ADDRESS BUS ARBITER AND LAS FULL FLAG

THIS DOCUMENT CONTAINS INFORMATION PROPRIETARY TO CONVEX COMPUTER CORPORATION (CONVEX). USE OR DISCLOSURE WITHOUT THE WRITTEN PERMISSION OF AN OFFICER OF CONVEX IS EXPRESSLY FORBIDDEN. COPYRIGHT (C) CONVEX 1985



TITLE: ATU	ABBR: ATU
DRAWING: 410-000125-300 REV D01	ENGR: CHASTAIN
REVISED: Tue Feb 12 10:56:19 1985	PAGE: ATU.7

8 7 6 3 2 1



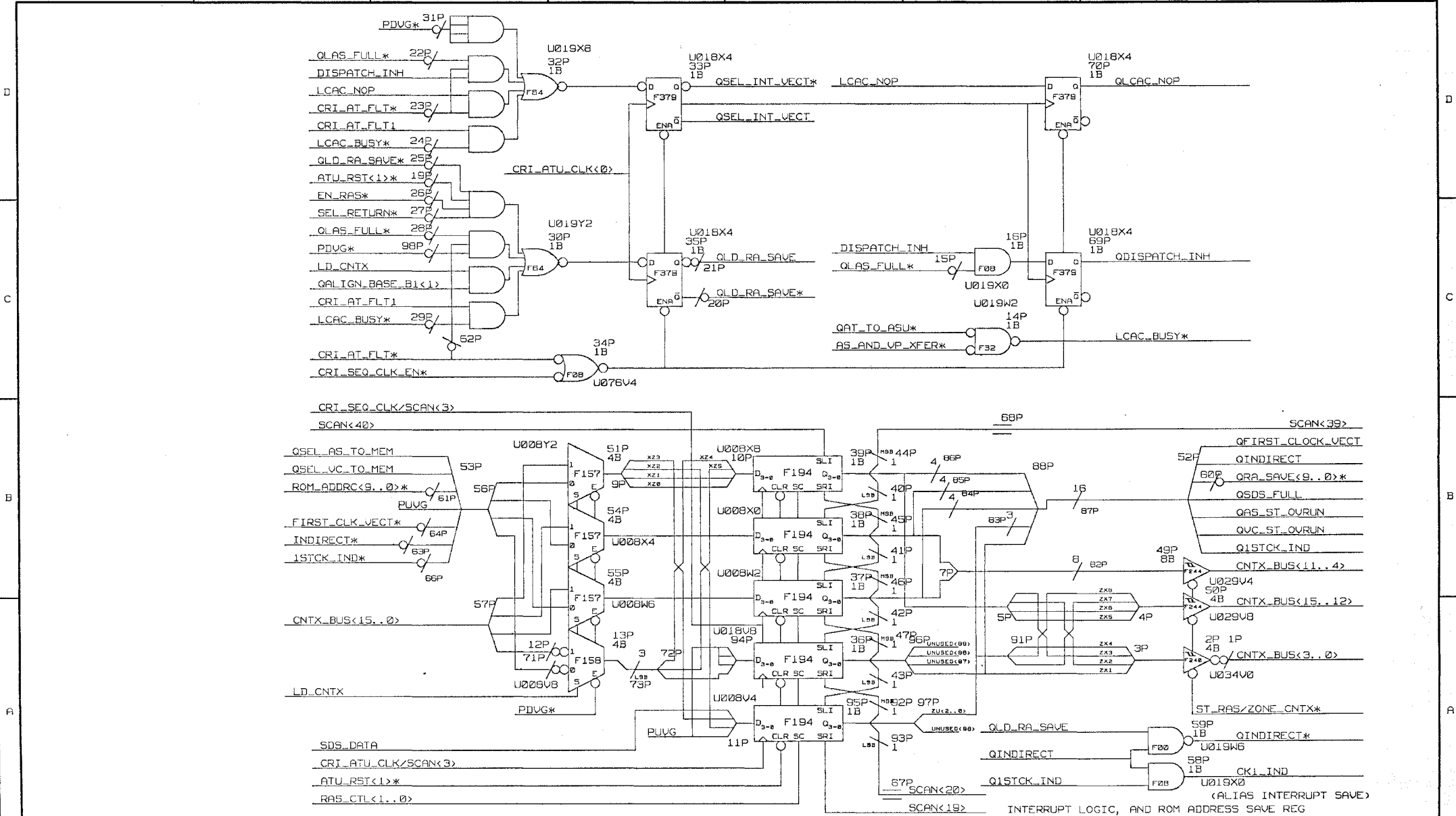
D

C

B

A

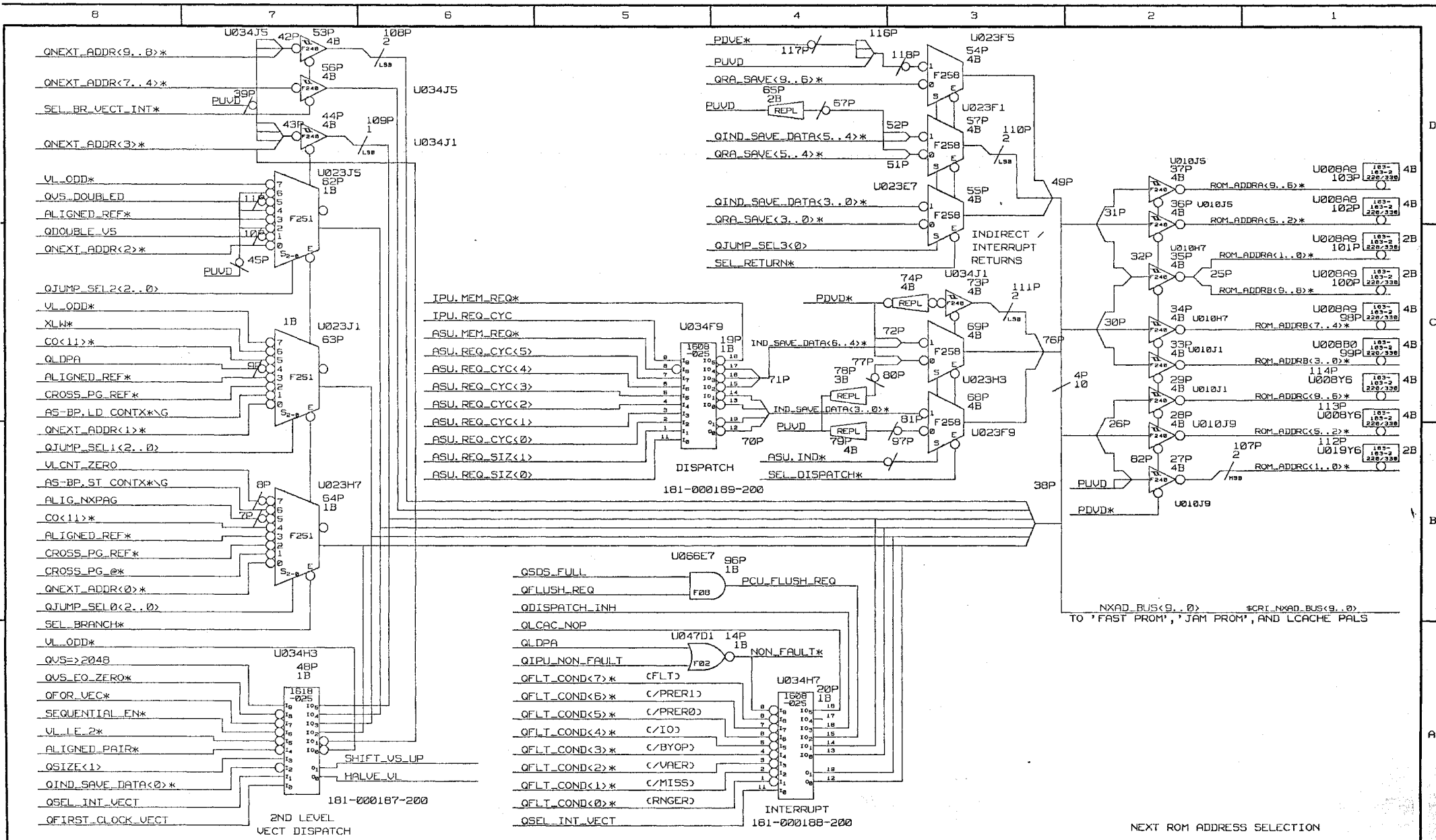
A



THIS DOCUMENT CONTAINS INFORMATION PROPRIETARY TO CONVEX COMPUTER CORPORATION (CONVEX). USE OR DISCLOSURE WITHOUT THE WRITTEN PERMISSION OF AN OFFICER OF CONVEX IS EXPRESSLY FORBIDDEN. COPYRIGHT (C) CONVEX 1985



TITLE: ATU	ABBR: ATU
DRAWING: 410-000125-300 REV D01	ENGR: CHASTAIN
REVISED: Thu Feb 14 07:53:39 1985	PAGE: ATU.9

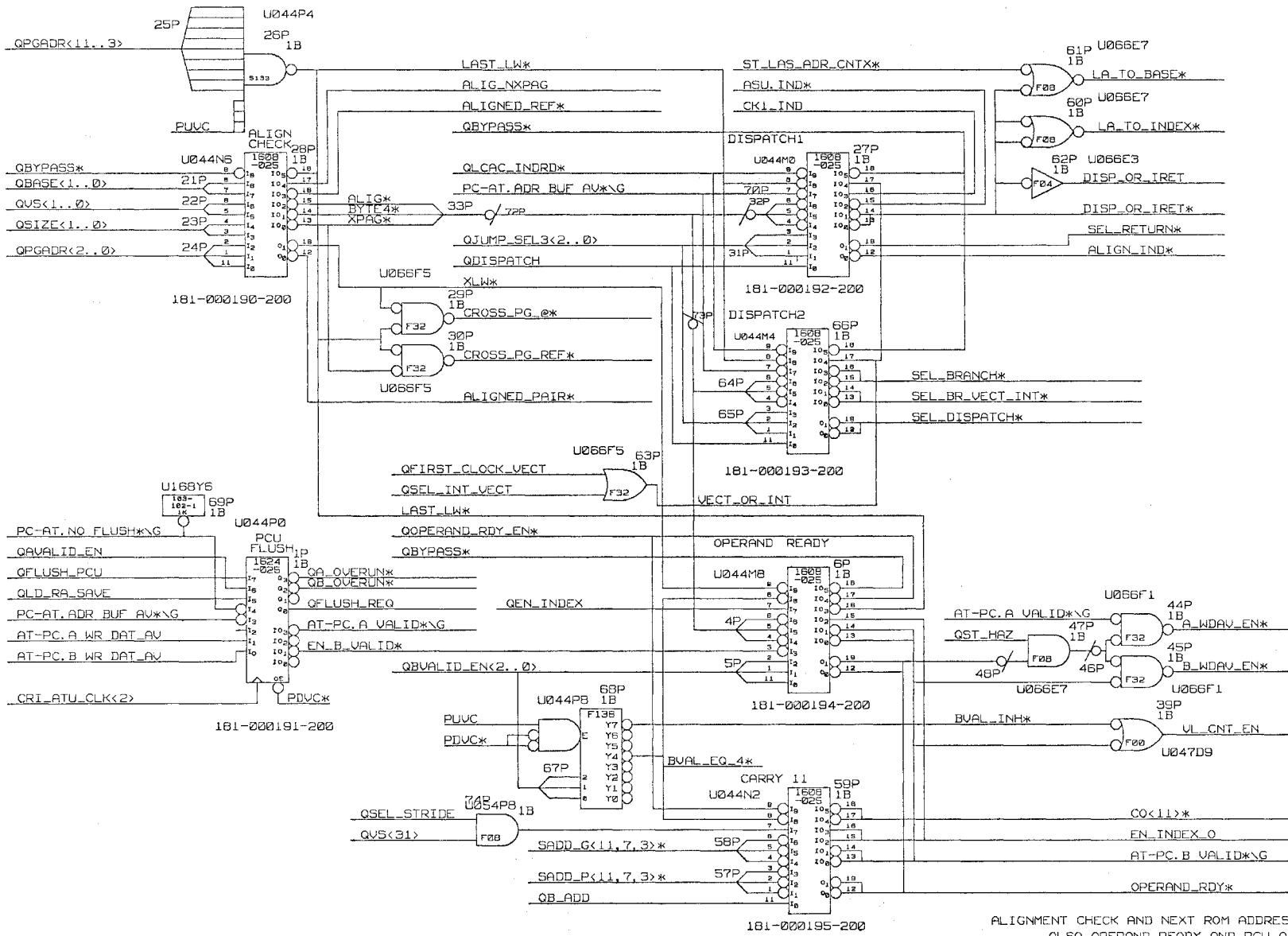


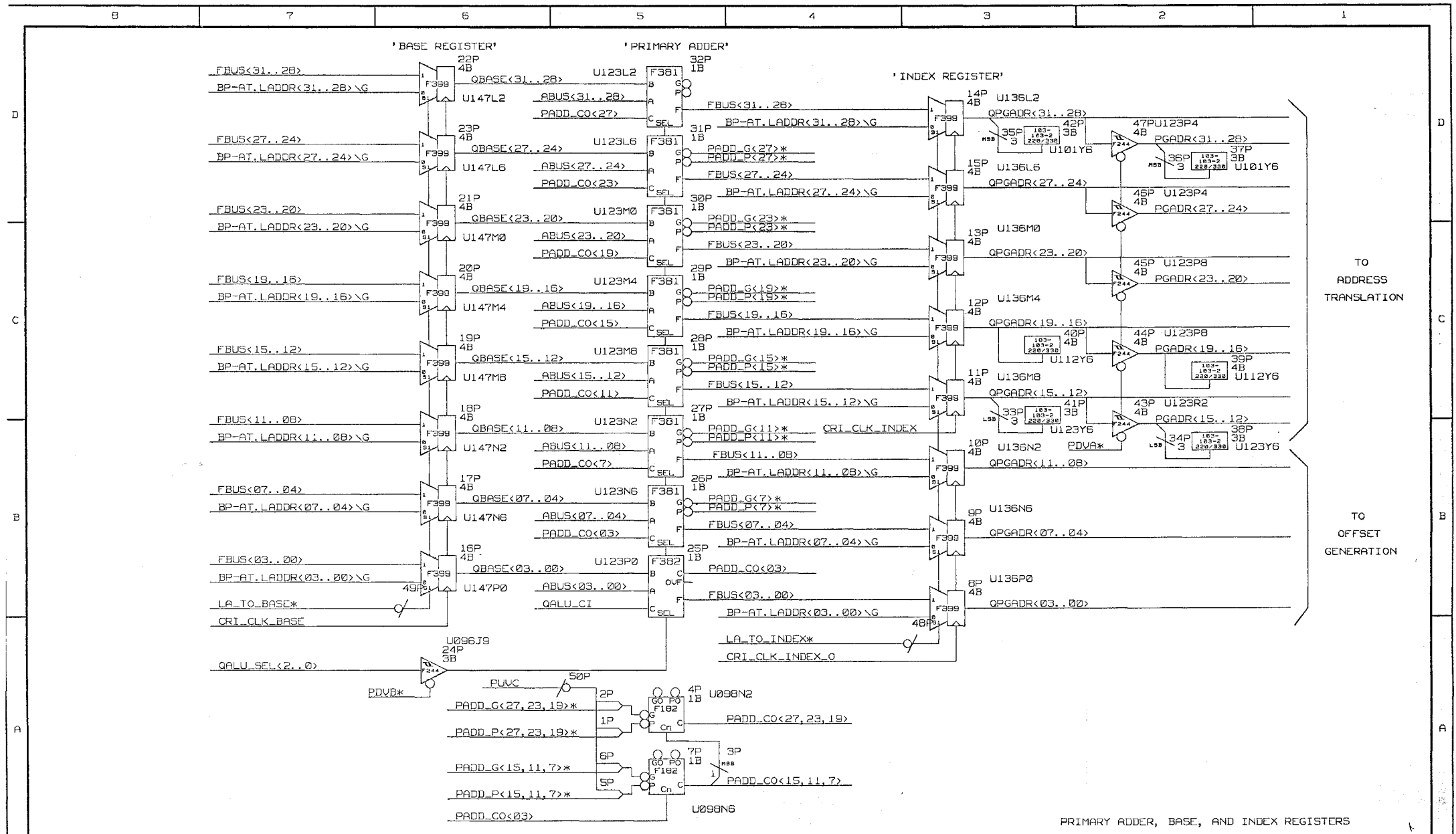
THIS DOCUMENT CONTAINS INFORMATION PROPRIETARY TO CONVEX COMPUTER CORPORATION (CONVEX). USE OR DISCLOSURE WITHOUT THE WRITTEN PERMISSION OF AN OFFICER OF CONVEX IS EXPRESSLY FORBIDDEN. COPYRIGHT (C) CONVEX 1985



TITLE: ATU	ABBR: ATU
DRAWING: 410-000125-300 REV D01	ENGR: CHASTAIN
REVISED: Thu Feb 14 09:23:17 1985	PAGE: ATU.10

NEXT ROM ADDRESS SELECTION



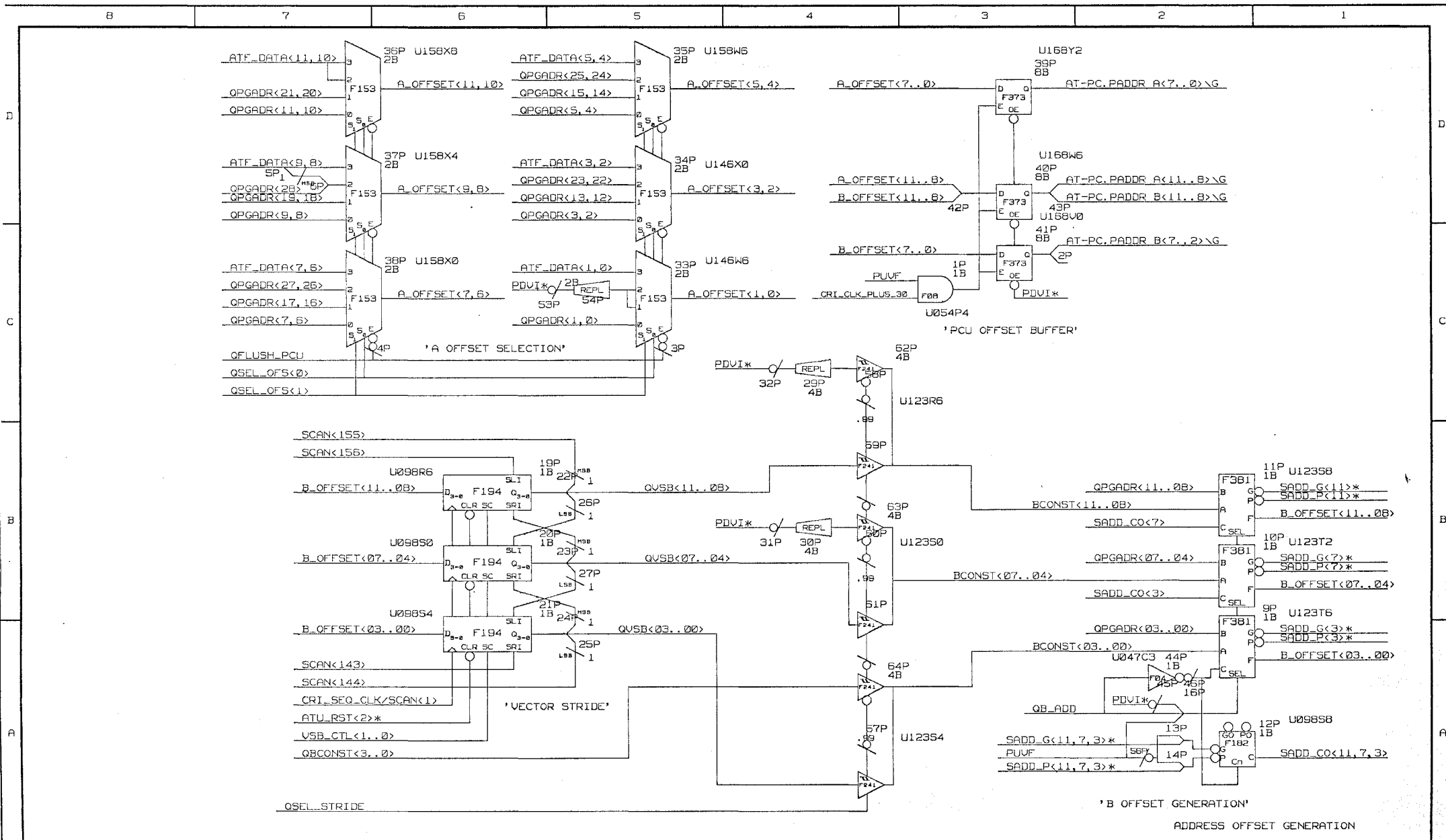


PRIMARY ADDER, BASE, AND INDEX REGISTERS

THIS DOCUMENT CONTAINS INFORMATION PROPRIETARY TO CONVEX COMPUTER CORPORATION (CONVEX). USE OR DISCLOSURE WITHOUT THE WRITTEN PERMISSION OF AN OFFICER OF CONVEX IS EXPRESSLY FORBIDDEN. COPYRIGHT (C) CONVEX 1985



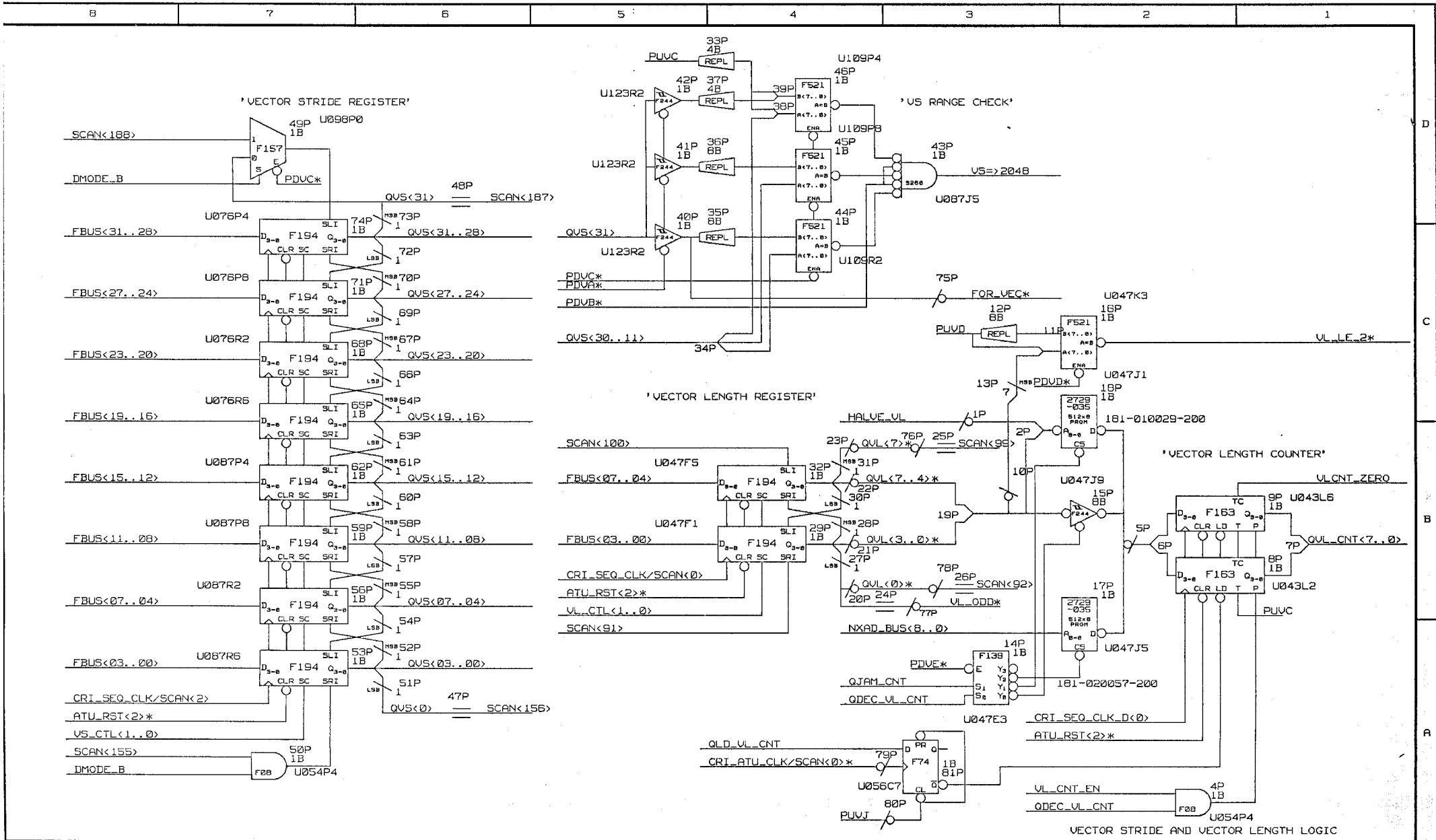
TITLE: ATU	ABBR: ATU
DRAWING: 410-000125-300 REV D01	ENGR: CHASTAIN
REVISED: Tue Feb 12 11:55:43 1985	PAGE: ATU.12



THIS DOCUMENT CONTAINS INFORMATION PROPRIETARY TO CONVEX COMPUTER CORPORATION (CONVEX). USE OR DISCLOSURE WITHOUT THE WRITTEN PERMISSION OF AN OFFICER OF CONVEX IS EXPRESSLY FORBIDDEN. COPYRIGHT (C) CONVEX 1985



TITLE: ATU  
 DRAWING: 410-000125-300 REV D01  
 REVISED: Tue Feb 12 11:58:29 1985 | PAGE: ATU.13  
 ABBR: ATU  
 ENGR: CHASTAIN

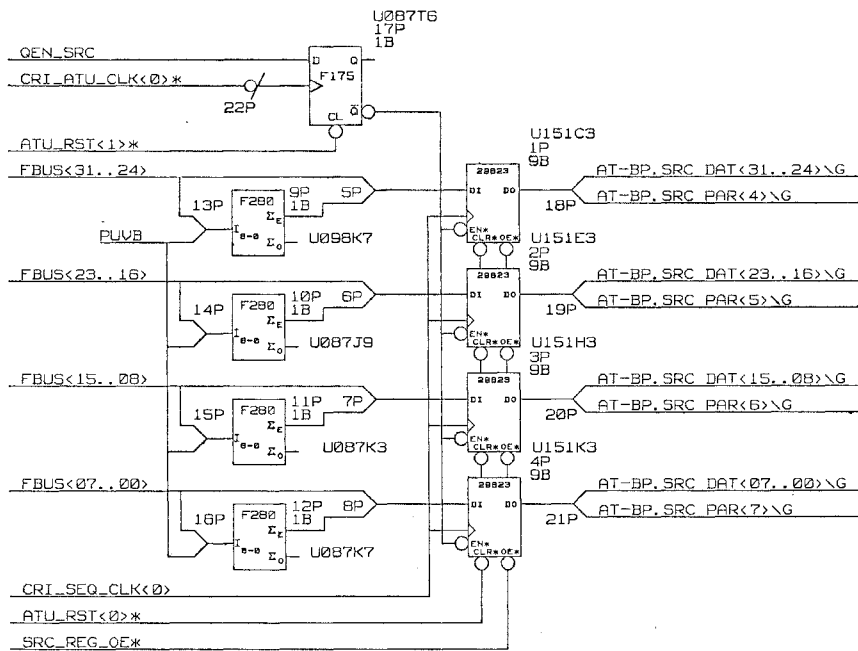


THIS DOCUMENT CONTAINS INFORMATION PROPRIETARY TO CONVEX COMPUTER CORPORATION (CONVEX). USE OR DISCLOSURE WITHOUT THE WRITTEN PERMISSION OF AN OFFICER OF CONVEX IS EXPRESSLY FORBIDDEN. COPYRIGHT (C) CONVEX 1985



TITLE: ATU	ABBR: ATU
DRAWING: 410-000125-300 REV D01	ENGR: CHASTAIN
REVISED: Thu Feb 14 07:48:21 1985	PAGE: ATU.14

VECTOR STRIDE AND VECTOR LENGTH LOGIC



SRC BUS REGISTER AND PARITY GENERATOR

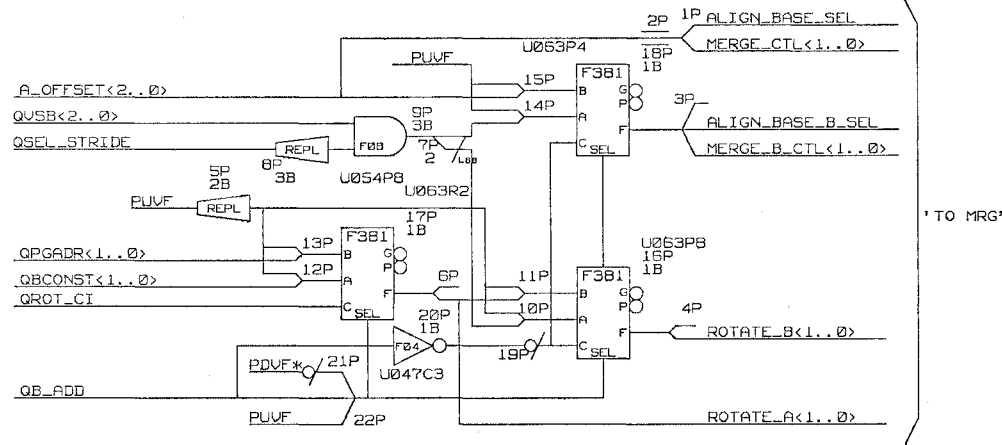
THIS DOCUMENT CONTAINS INFORMATION PROPRIETARY TO CONVEX COMPUTER CORPORATION (CONVEX). USE OR DISCLOSURE WITHOUT THE WRITTEN PERMISSION OF AN OFFICER OF CONVEX IS EXPRESSLY FORBIDDEN. COPYRIGHT (C) CONVEX 1985



TITLE: ATU  
DRAWING: 410-000125-300 REV D01

ABBR: ATU  
ENGR: CHASTAIN

REVISED: Tue Feb 12 13:21:02 1985 | PAGE: ATU.16

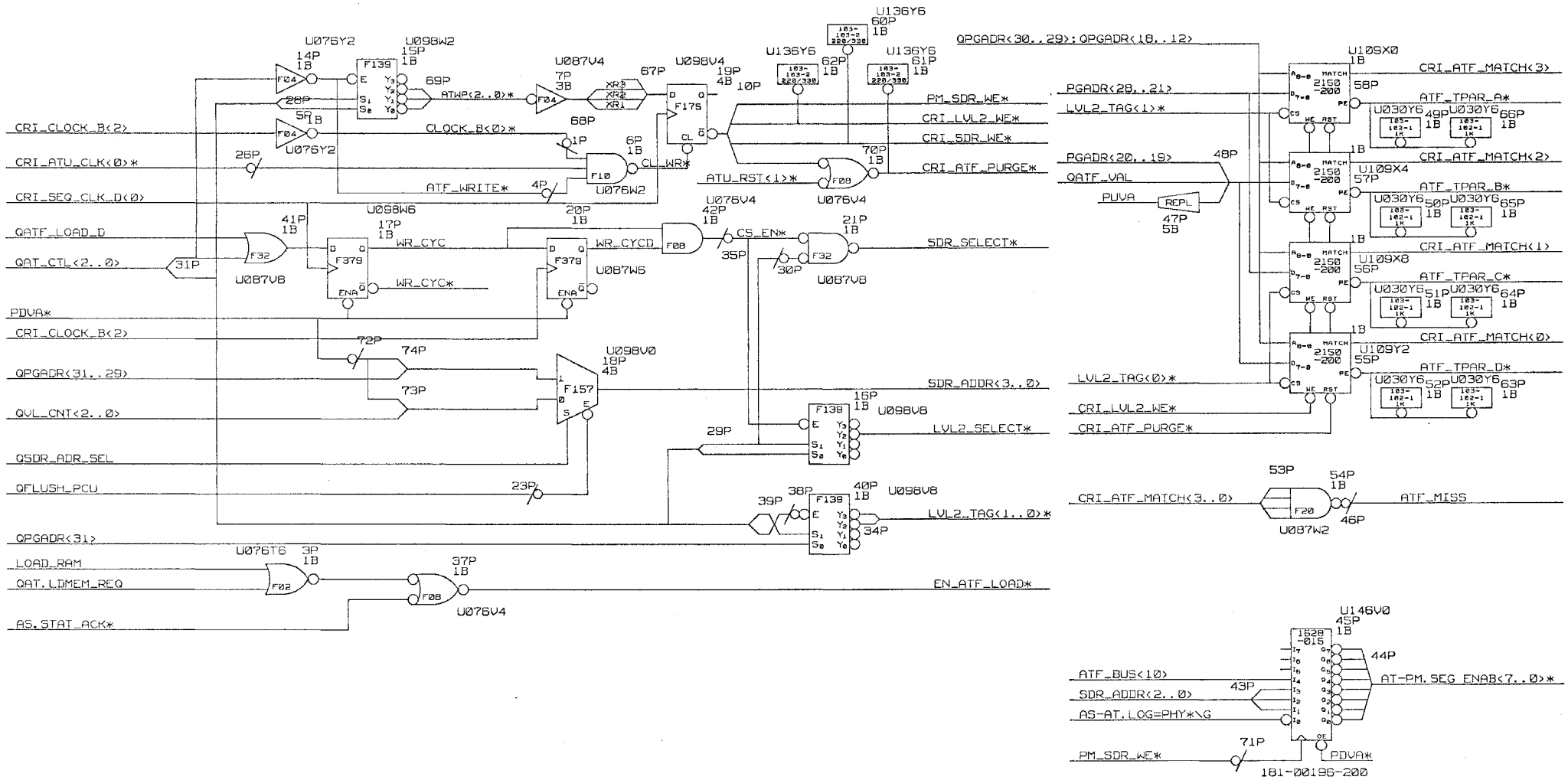


ROTATION AND MERGE BASE SELECTION CODES

THIS DOCUMENT CONTAINS INFORMATION PROPRIETARY TO CONVEX COMPUTER CORPORATION (CONVEX). USE OR DISCLOSURE WITHOUT THE WRITTEN PERMISSION OF AN OFFICER OF CONVEX IS EXPRESSLY FORBIDDEN. COPYRIGHT (C) CONVEX 1985



TITLE: ATU	ABBR: ATU
DRAWING: 410-000125-300 REV D01	ENGR: CHASTAIN
REVISED: Tue Feb 12 13:23:29 1985	PAGE: ATU.17

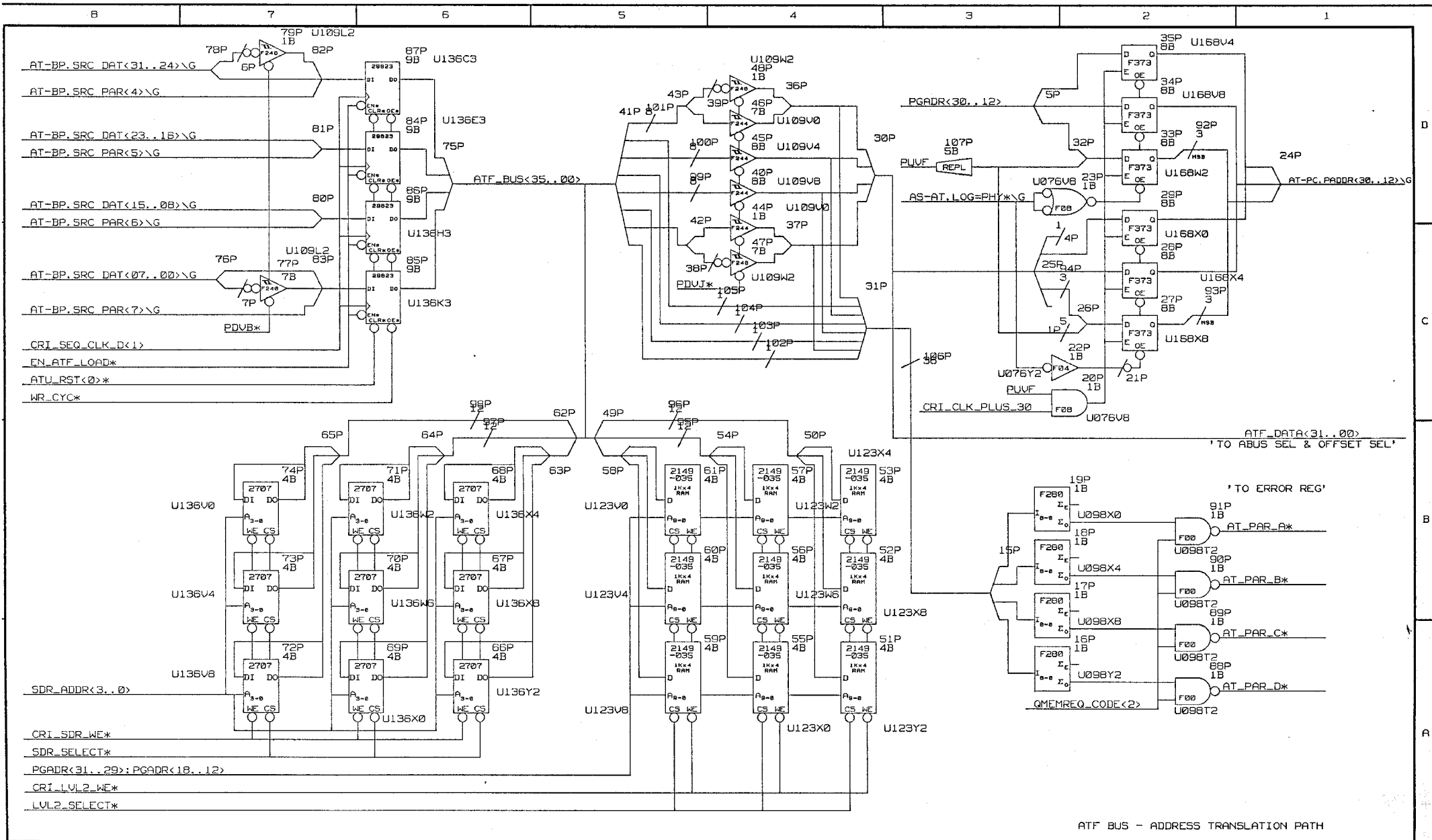


ATF CONTROL AND LEVEL 2 TAG STORE

THIS DOCUMENT CONTAINS INFORMATION PROPRIETARY TO CONVEX COMPUTER CORPORATION (CONVEX). USE OR DISCLOSURE WITHOUT THE WRITTEN PERMISSION OF AN OFFICER OF CONVEX IS EXPRESSLY FORBIDDEN. COPYRIGHT (C) CONVEX 1985



TITLE: ATU	ABBR: ATU
DRAWING: 410-000125-300 REV D01	ENGR: CHASTAIN
REVISED: Tue Feb 12 13:27:37 1985	PAGE: ATU.18

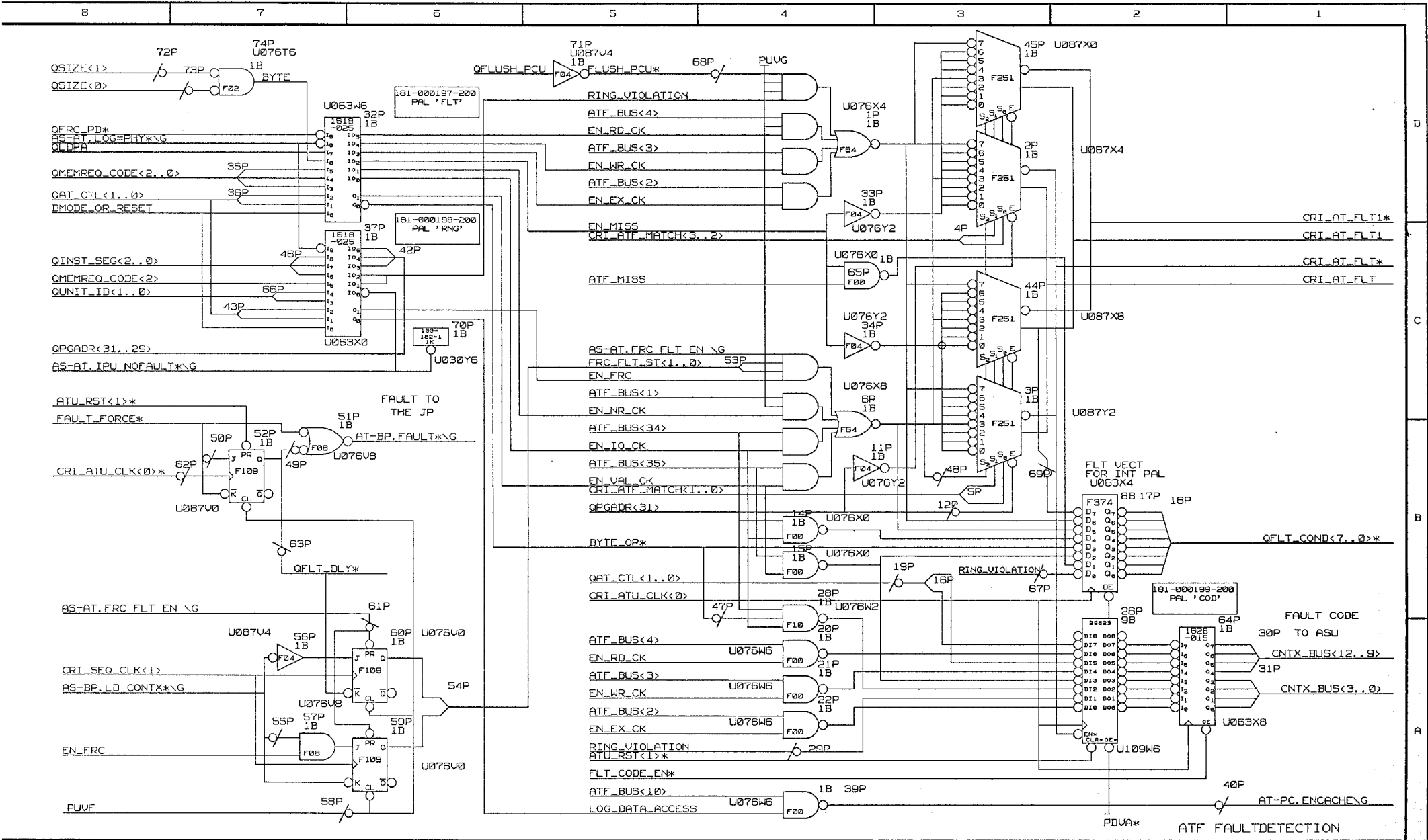


ATF BUS - ADDRESS TRANSLATION PATH

THIS DOCUMENT CONTAINS INFORMATION PROPRIETARY TO CONVEX COMPUTER CORPORATION (CONVEX). USE OR DISCLOSURE WITHOUT THE WRITTEN PERMISSION OF AN OFFICER OF CONVEX IS EXPRESSLY FORBIDDEN. COPYRIGHT (C) CONVEX 1985



TITLE: ATU	ABBR: ATU
DRAWING: 410-000125-300 REV D01	ENGR: CHASTAIN
REVISED: Tue Feb 12 13:29:28 1985	PAGE: ATU.19

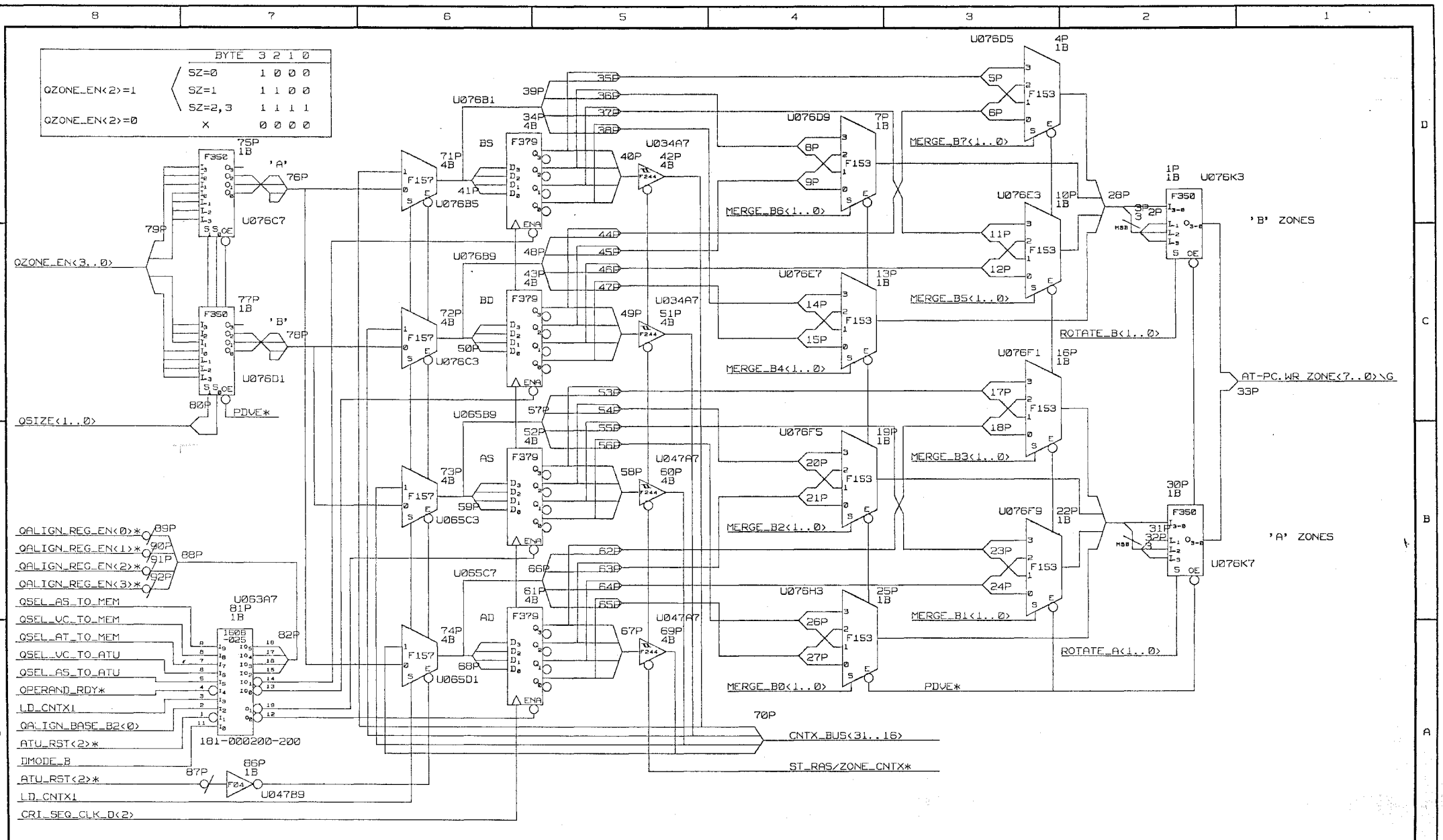


THIS DOCUMENT CONTAINS INFORMATION PROPRIETARY TO CONVEX COMPUTER CORPORATION (CONVEX). USE OR DISCLOSURE WITHOUT THE WRITTEN PERMISSION OF AN OFFICER OF CONVEX IS EXPRESSLY FORBIDDEN. COPYRIGHT (C) CONVEX 1985



TITLE: ATU		ABBR: ATU
DRAWING: 410-000125-300 REV 001		ENGR: CHASTAIN
REVISED: Tue Feb 12 13:42:57 1985	PAGE: ATU.20	





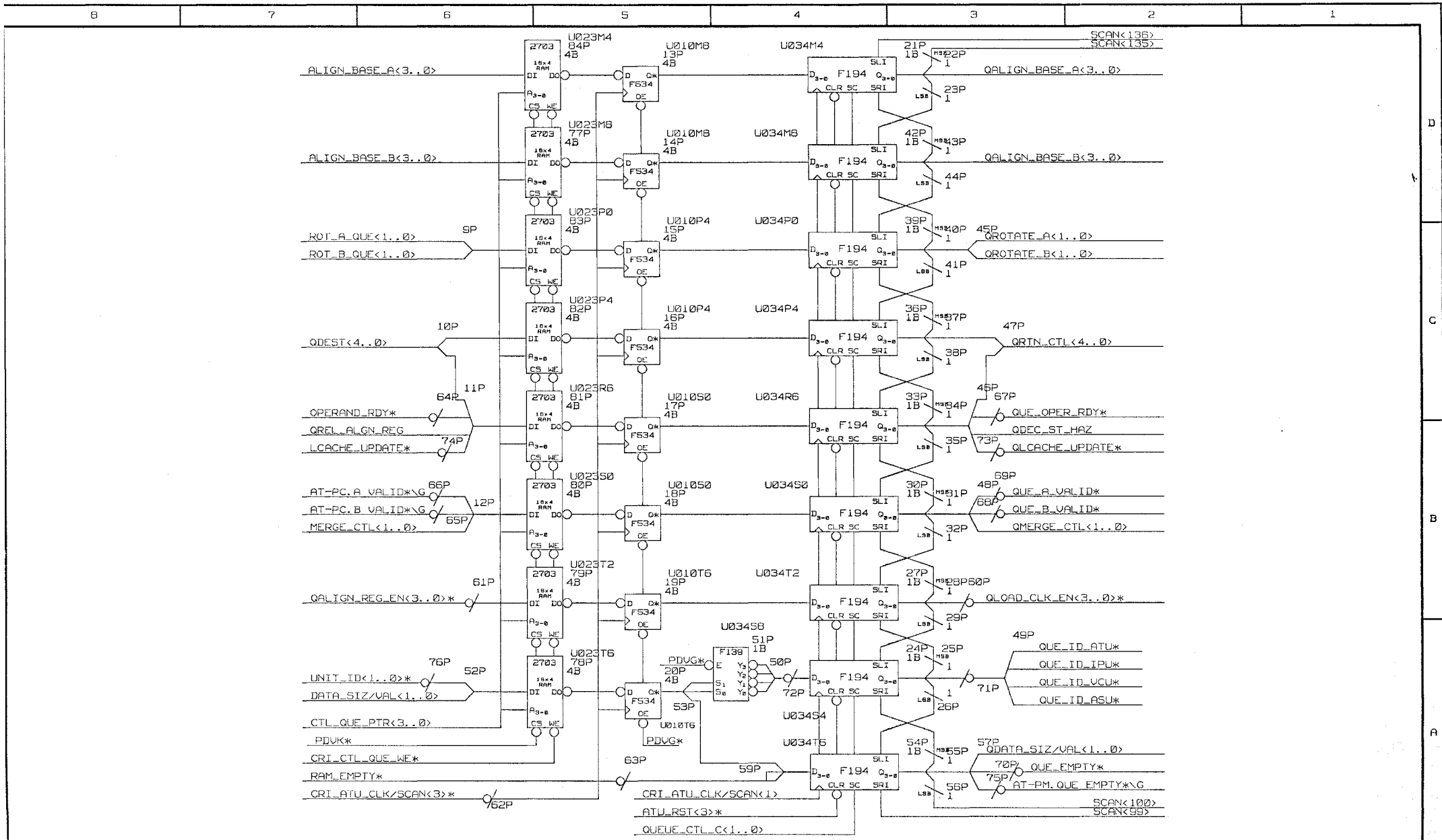
THIS DOCUMENT CONTAINS INFORMATION PROPRIETARY TO CONVEX COMPUTER CORPORATION (CONVEX). USE OR DISCLOSURE WITHOUT THE WRITTEN PERMISSION OF AN OFFICER OF CONVEX IS EXPRESSLY FORBIDDEN. COPYRIGHT (C) CONVEX 1985



TITLE: ATU  
 DRAWING: 410-000125-300 REV D01  
 REVISED: Sun Feb 17 16:12:04 1985

ABBR: ATU  
 ENGR: CHASTAIN

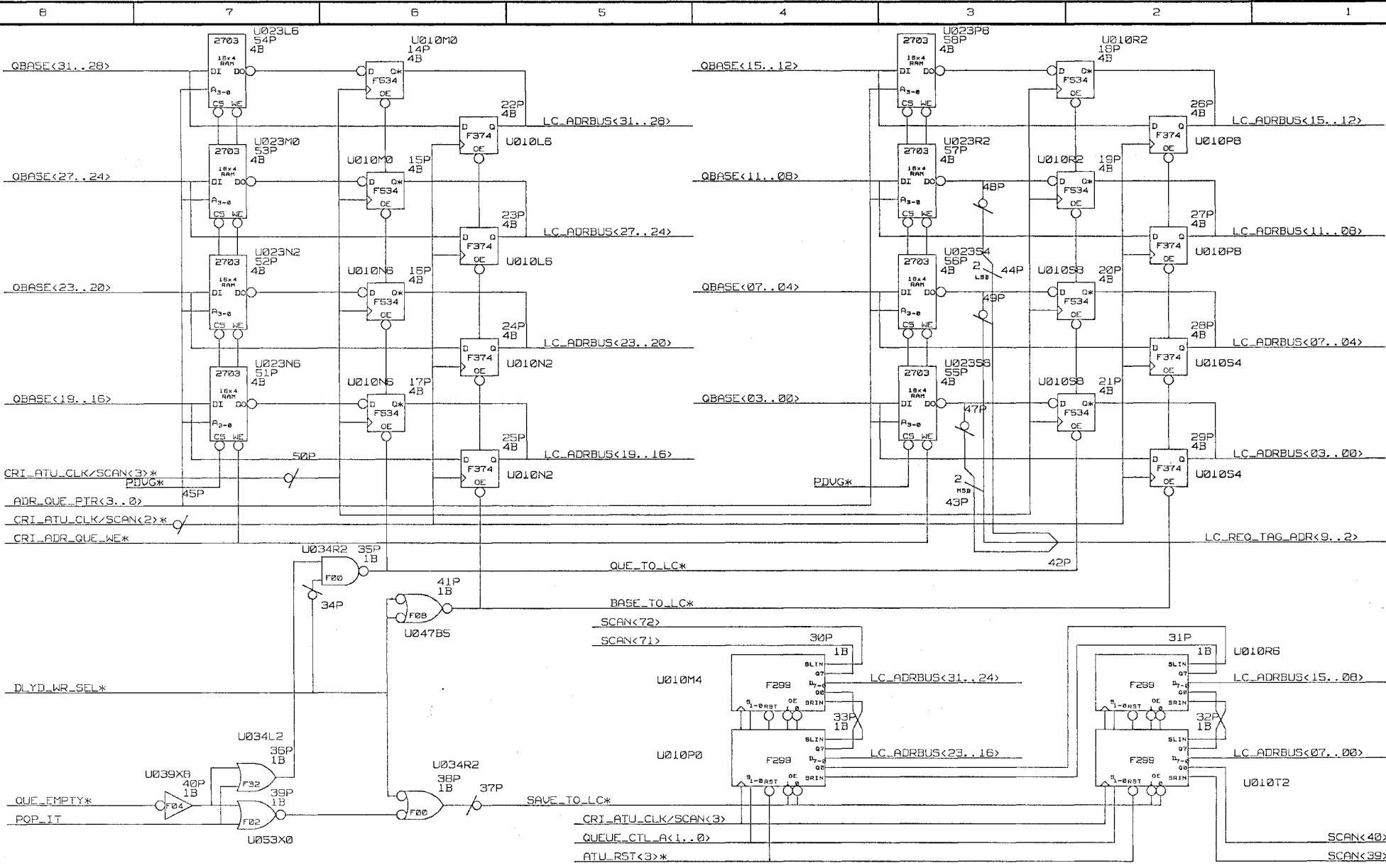
PAGE: ATU.22



THIS DOCUMENT CONTAINS INFORMATION PROPRIETARY TO CONVEX COMPUTER CORPORATION (CONVEX). USE OR DISCLOSURE WITHOUT THE WRITTEN PERMISSION OF AN OFFICER OF CONVEX IS EXPRESSLY FORBIDDEN. COPYRIGHT (C) CONVEX 1985



TITLE: ATU	ABBR: ATU
DRAWING: 410-000125-300 REV D01	ENGR: CHASTAIN
REVISED: Wed Apr 3 10:18:06 1985	PAGE: ATU.23

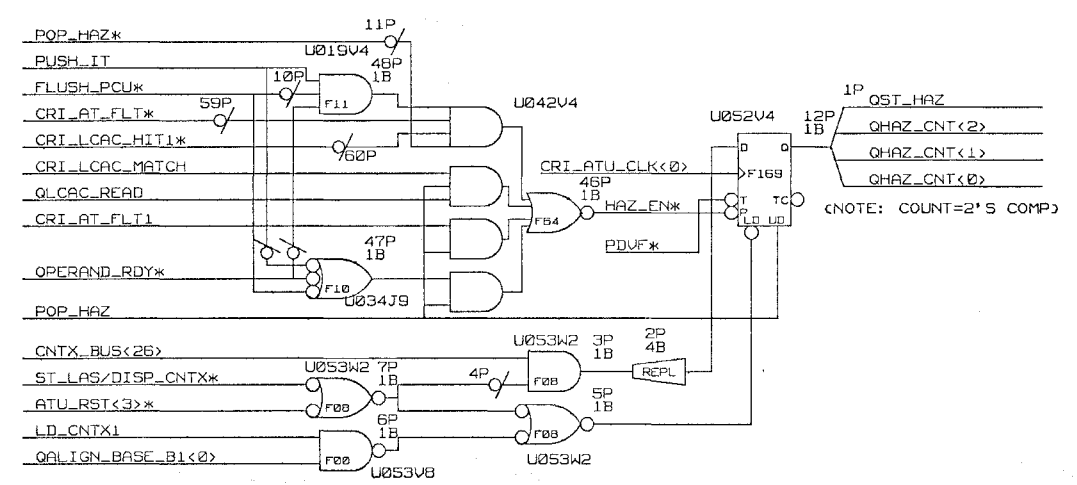
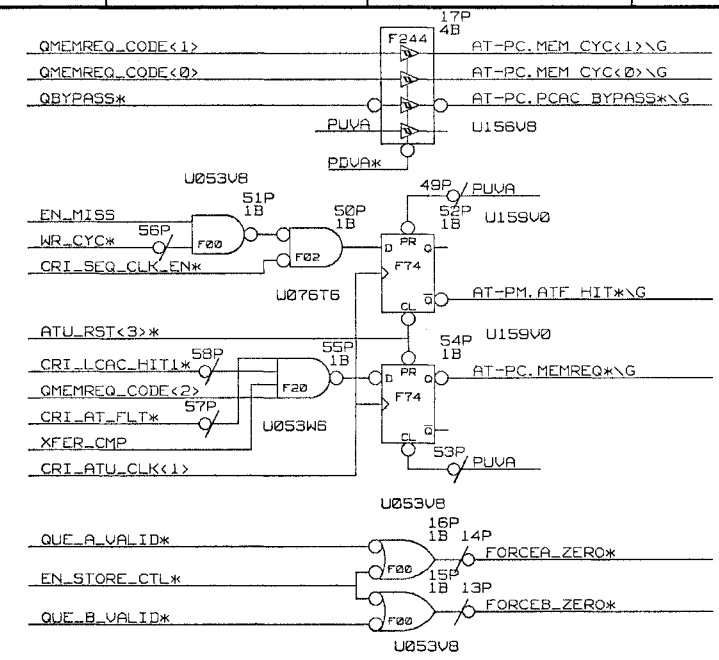
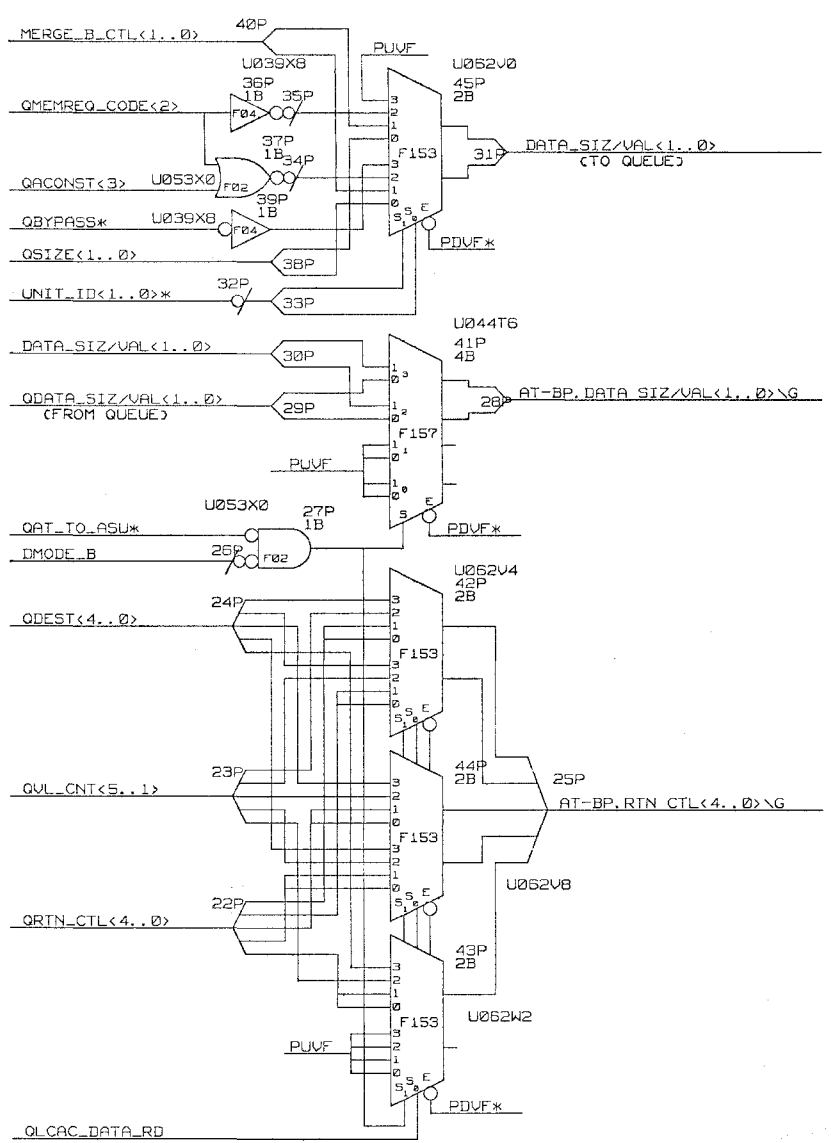


THIS DOCUMENT CONTAINS INFORMATION PROPRIETARY TO CONVEX COMPUTER CORPORATION (CONVEX). USE OR DISCLOSURE WITHOUT THE WRITTEN PERMISSION OF AN OFFICER OF CONVEX IS EXPRESSLY FORBIDDEN. COPYRIGHT (C) CONVEX 1985



TITLE: ATU	ABBR: ATU
DRAWING: 410-000125-300 REV D01	ENGR: CHASTAIN
REVISED: Wed Apr 3 11:27:48 1985	PAGE: ATU.24



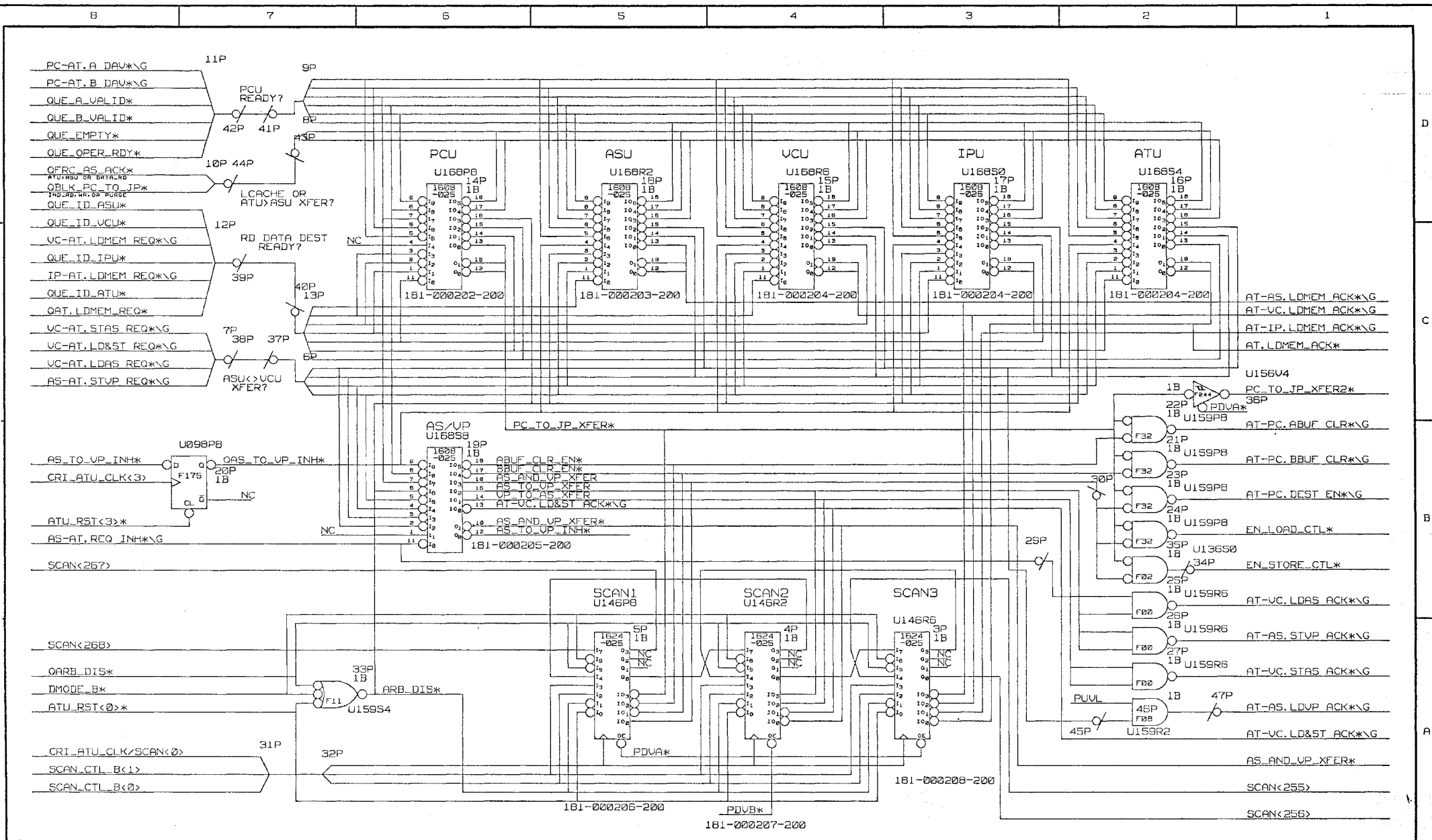


DATA SIZE / VALID SELECTION, MEM REQ, AND STORE HAZARD COUNTER

THIS DOCUMENT CONTAINS INFORMATION PROPRIETARY TO CONVEX COMPUTER CORPORATION (CONVEX). USE OR DISCLOSURE WITHOUT THE WRITTEN PERMISSION OF AN OFFICER OF CONVEX IS EXPRESSLY FORBIDDEN. COPYRIGHT (C) CONVEX 1985



TITLE: ATU	ABBR: ATU
DRAWING: 410-000125-300 REV D01	ENGR: CHASTAIN
REVISED: Tue Feb 12 14:38:20 1985	PAGE: ATU.26



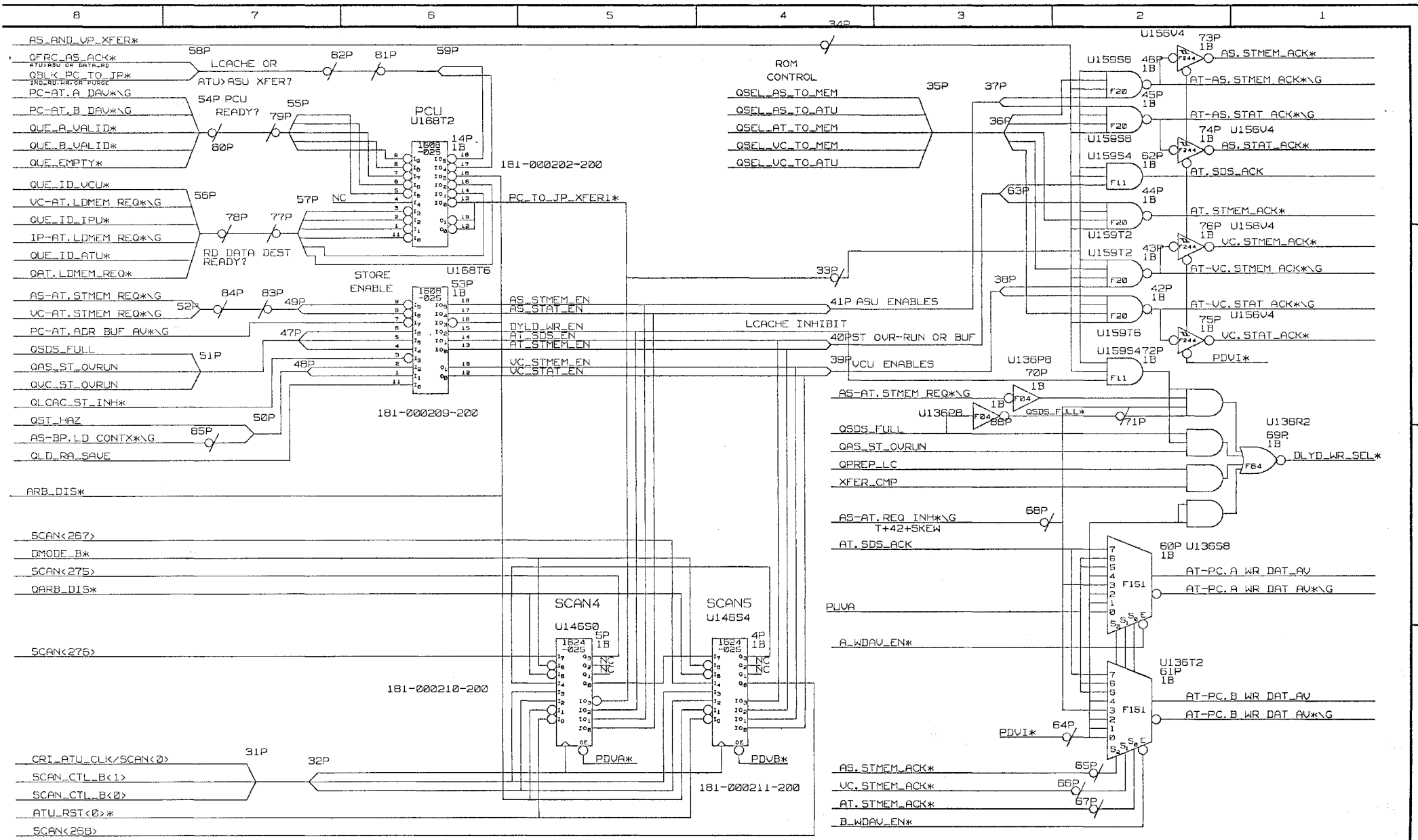
THIS DOCUMENT CONTAINS INFORMATION PROPRIETARY TO CONVEX COMPUTER CORPORATION (CONVEX). USE OR DISCLOSURE WITHOUT THE WRITTEN PERMISSION OF AN OFFICER OF CONVEX IS EXPRESSLY FORBIDDEN. COPYRIGHT (C) CONVEX 1985



TITLE: ATU  
 DRAWING: 410-000125-300 REV D01  
 REVISED: Thu Feb 14 09:51:55 1985

ABBR: ATU  
 ENGR: CHASTAIN

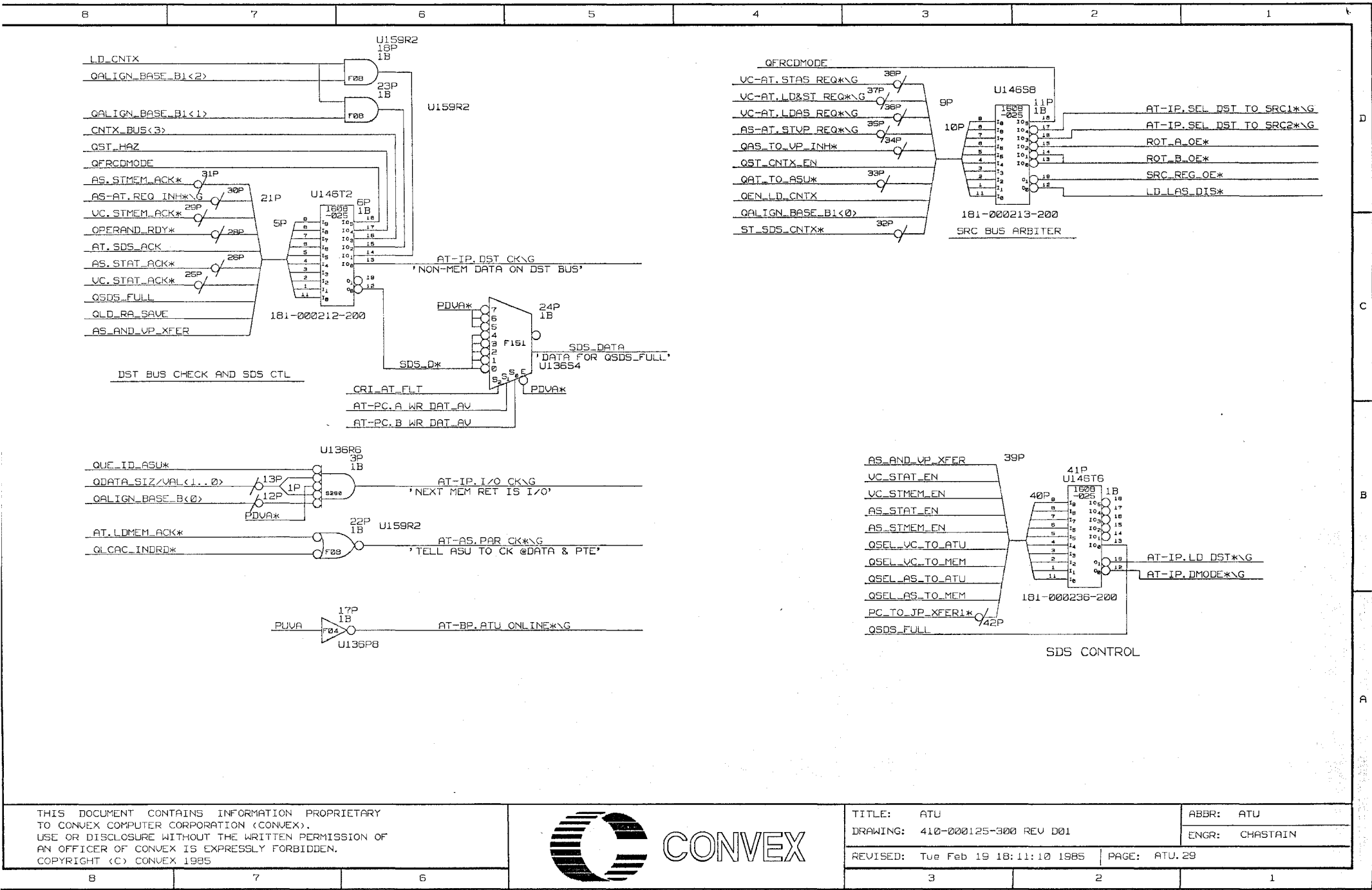
PAGE: ATU.27



THIS DOCUMENT CONTAINS INFORMATION PROPRIETARY TO CONVEX COMPUTER CORPORATION (CONVEX). USE OR DISCLOSURE WITHOUT THE WRITTEN PERMISSION OF AN OFFICER OF CONVEX IS EXPRESSLY FORBIDDEN. COPYRIGHT (C) CONVEX 1985



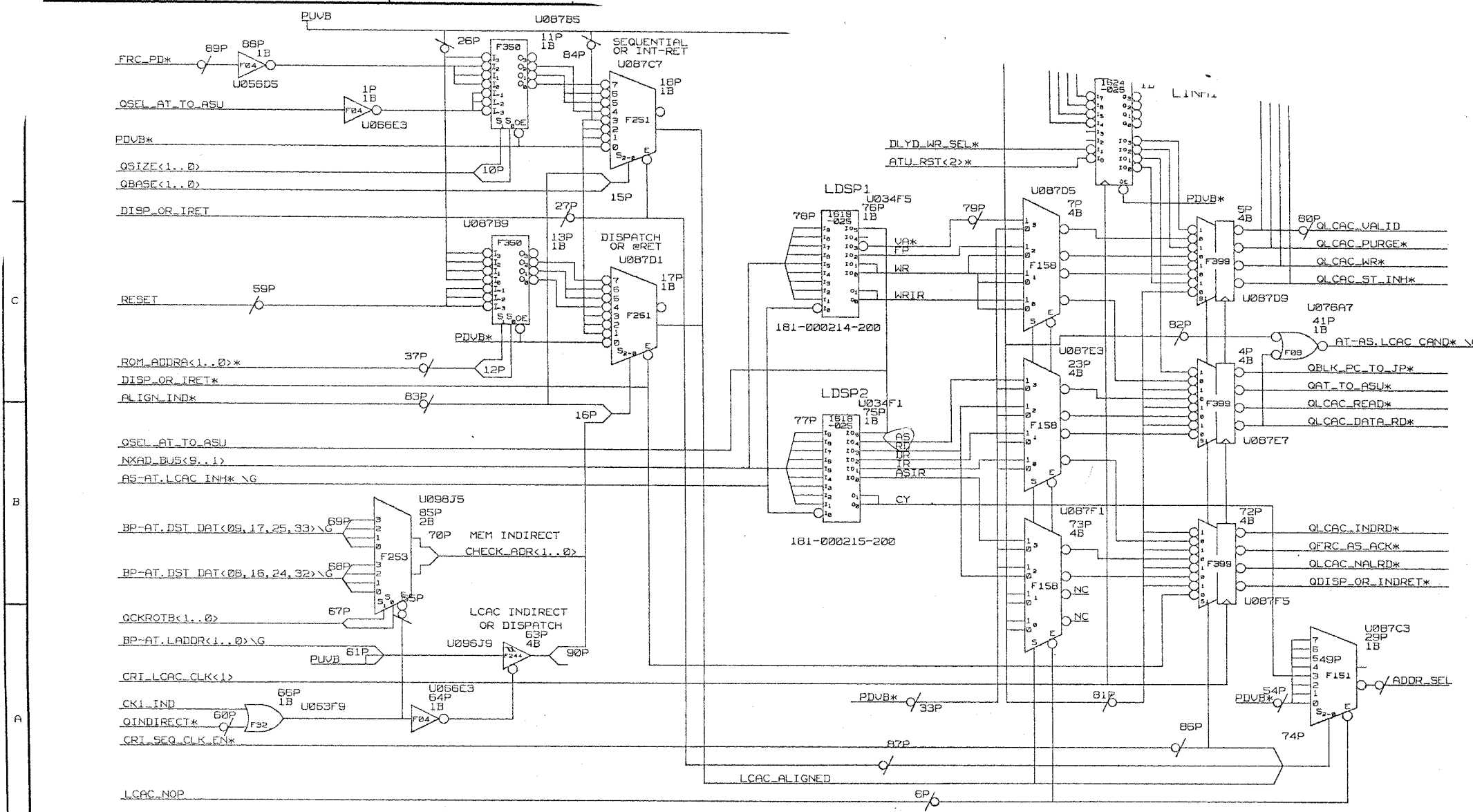
TITLE: ATU	ABBR: ATU
DRAWING: 410-000125-300 REV D01	ENGR: CHASTAIN
REVISED: Tue Feb 12 15:42:45 1985	PAGE: ATU.28



THIS DOCUMENT CONTAINS INFORMATION PROPRIETARY TO CONVEX COMPUTER CORPORATION (CONVEX). USE OR DISCLOSURE WITHOUT THE WRITTEN PERMISSION OF AN OFFICER OF CONVEX IS EXPRESSLY FORBIDDEN. COPYRIGHT (C) CONVEX 1985



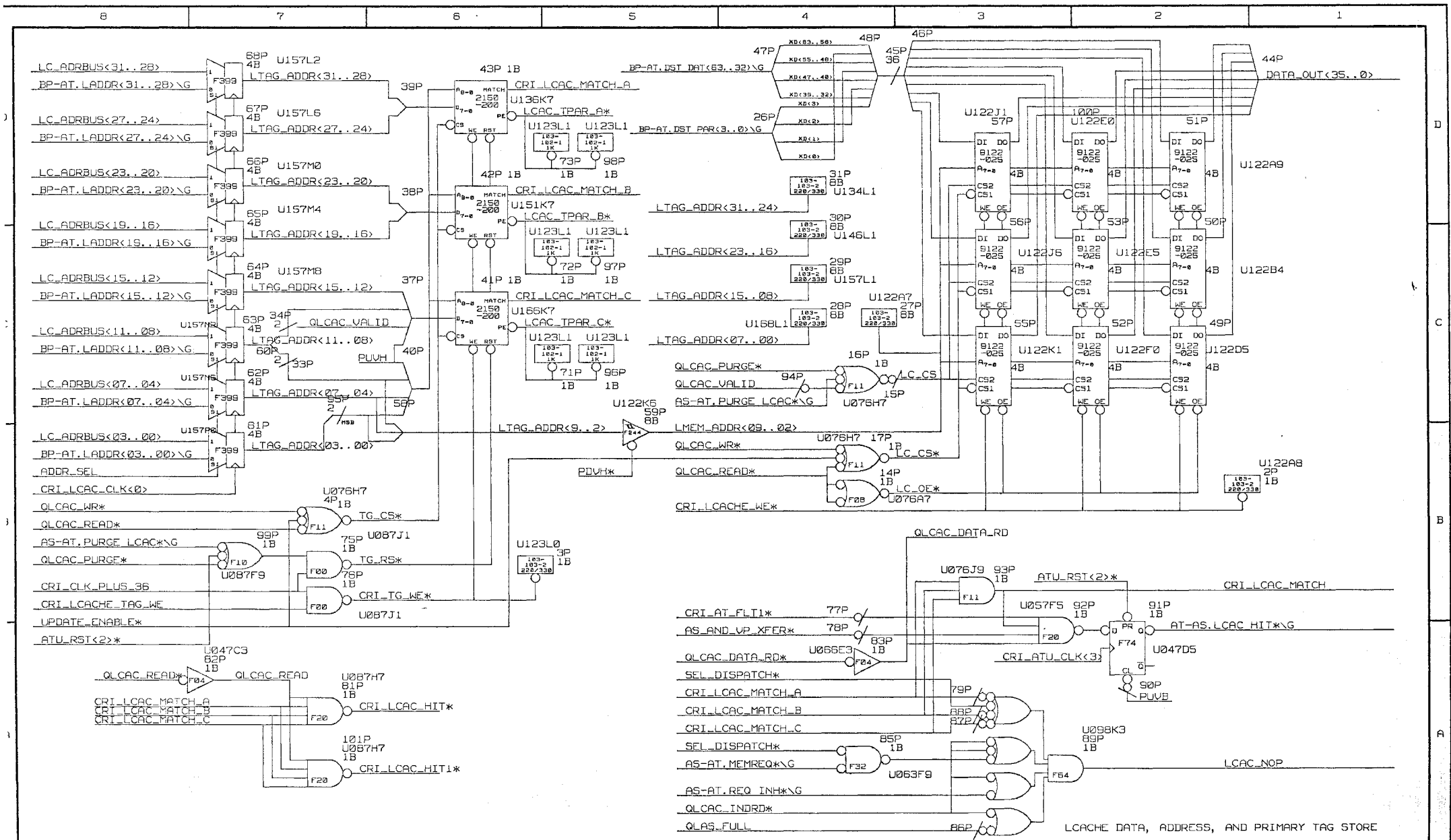
TITLE: ATU	ABBR: ATU
DRAWING: 410-000125-300 REV D01	ENGR: CHASTAIN
REVISED: Tue Feb 19 18:11:10 1985	PAGE: ATU.29



THIS DOCUMENT CONTAINS INFORMATION PROPRIETARY TO CONVEX COMPUTER CORPORATION (CONVEX). USE OR DISCLOSURE WITHOUT THE WRITTEN PERMISSION OF AN OFFICER OF CONVEX IS EXPRESSLY FORBIDDEN. COPYRIGHT (C) CONVEX 1985



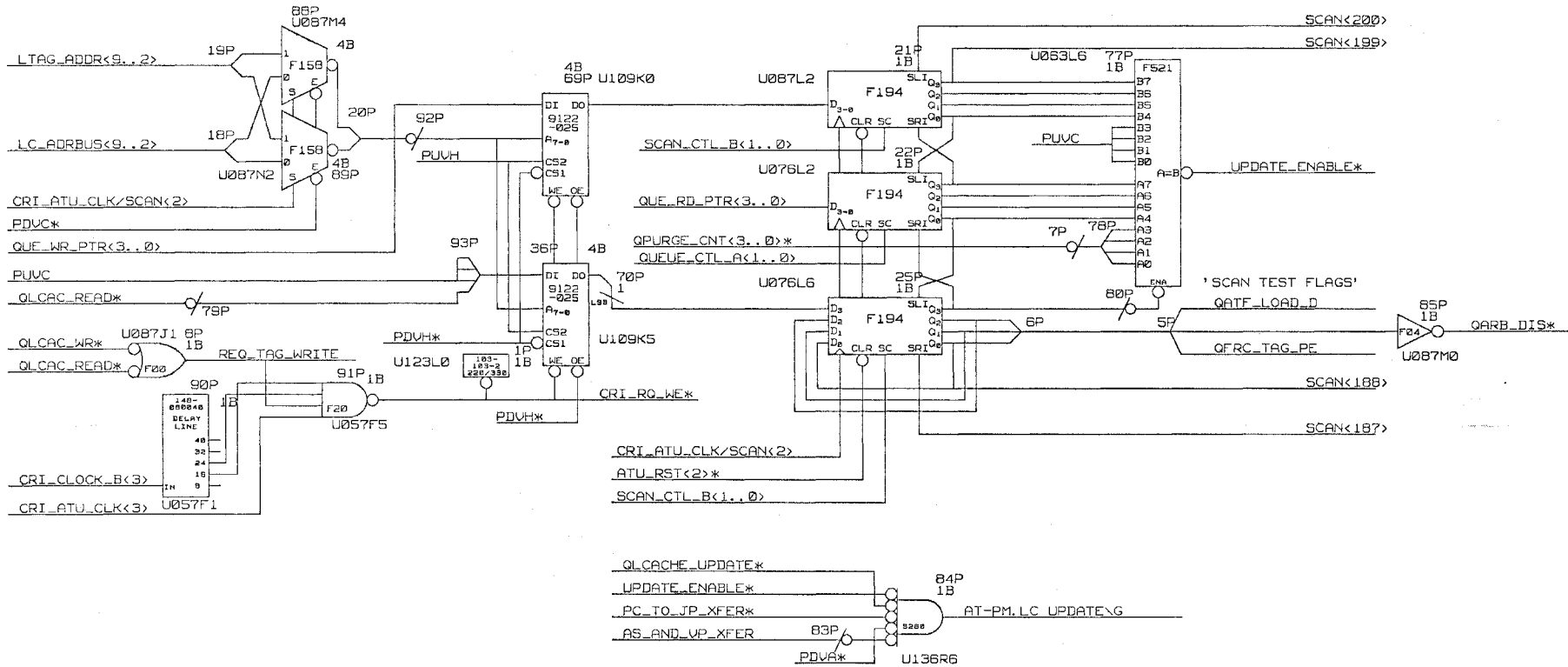
TITLE: ATU	ABBR: ATU
DRAWING: 410-000125-300 REV D01	ENGR: CHASTAIN
REVISED: Thu Feb 14 07:27:58 1985	PAGE: ATU.30
3	2
	1



THIS DOCUMENT CONTAINS INFORMATION PROPRIETARY TO CONVEX COMPUTER CORPORATION (CONVEX). USE OR DISCLOSURE WITHOUT THE WRITTEN PERMISSION OF AN OFFICER OF CONVEX IS EXPRESSLY FORBIDDEN. COPYRIGHT (C) CONVEX 1985



TITLE: ATU	ABBR: ATU
DRAWING: 410-000125-300 REV D01	ENGR: CHASTAIN
REVISED: Tue Feb 12 16:40:06 1985	PAGE: ATU.31

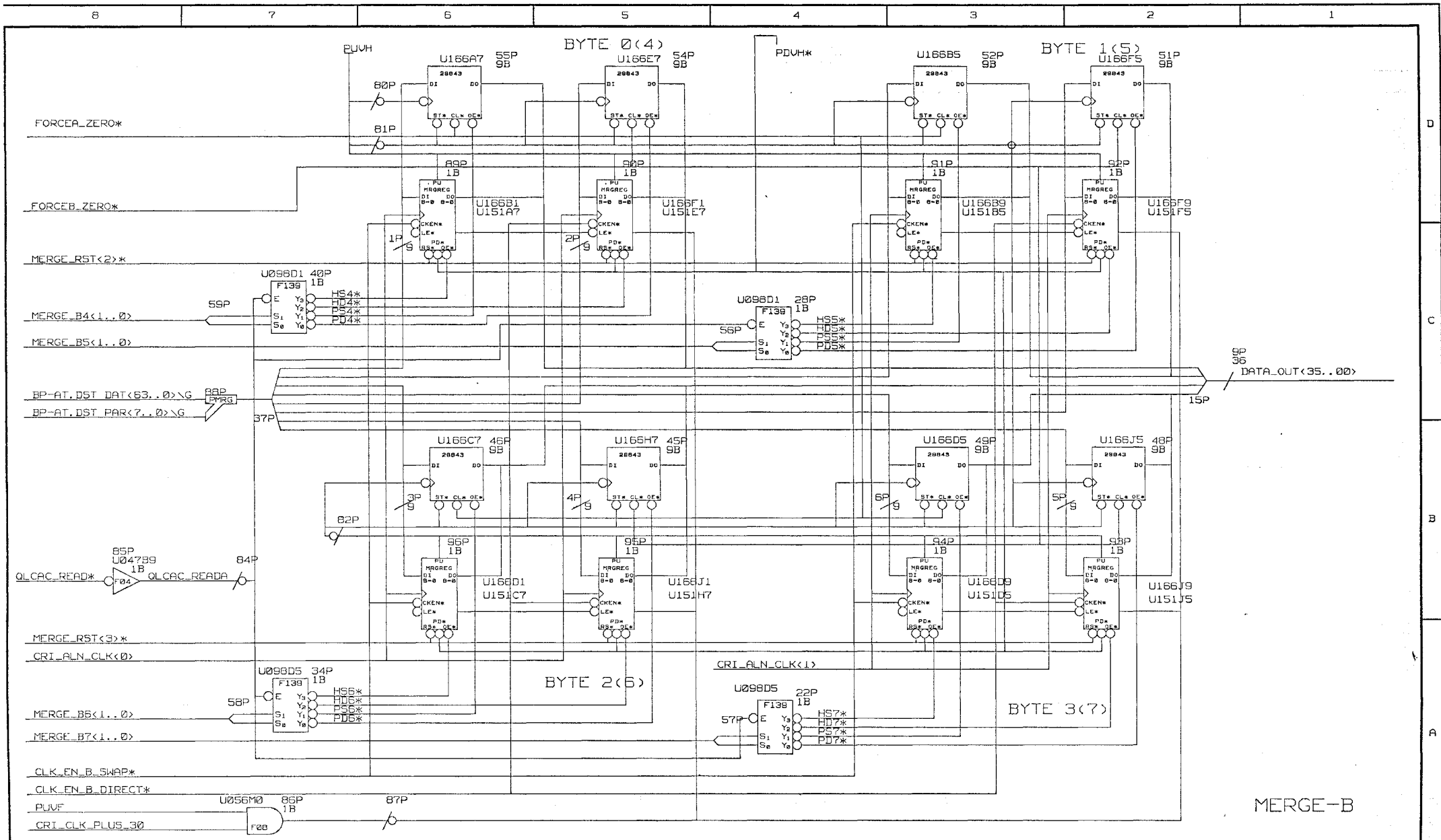


LCache Request Tag

THIS DOCUMENT CONTAINS INFORMATION PROPRIETARY TO CONVEX COMPUTER CORPORATION (CONVEX). USE OR DISCLOSURE WITHOUT THE WRITTEN PERMISSION OF AN OFFICER OF CONVEX IS EXPRESSLY FORBIDDEN. COPYRIGHT (C) CONVEX 1985



TITLE: ATU	ABBR: ATU
DRAWING: 410-000125-300 REV D01	ENGR: CHASTAIN
REVISED: Wed Feb 13 11:40:27 1985	PAGE: ATU.32



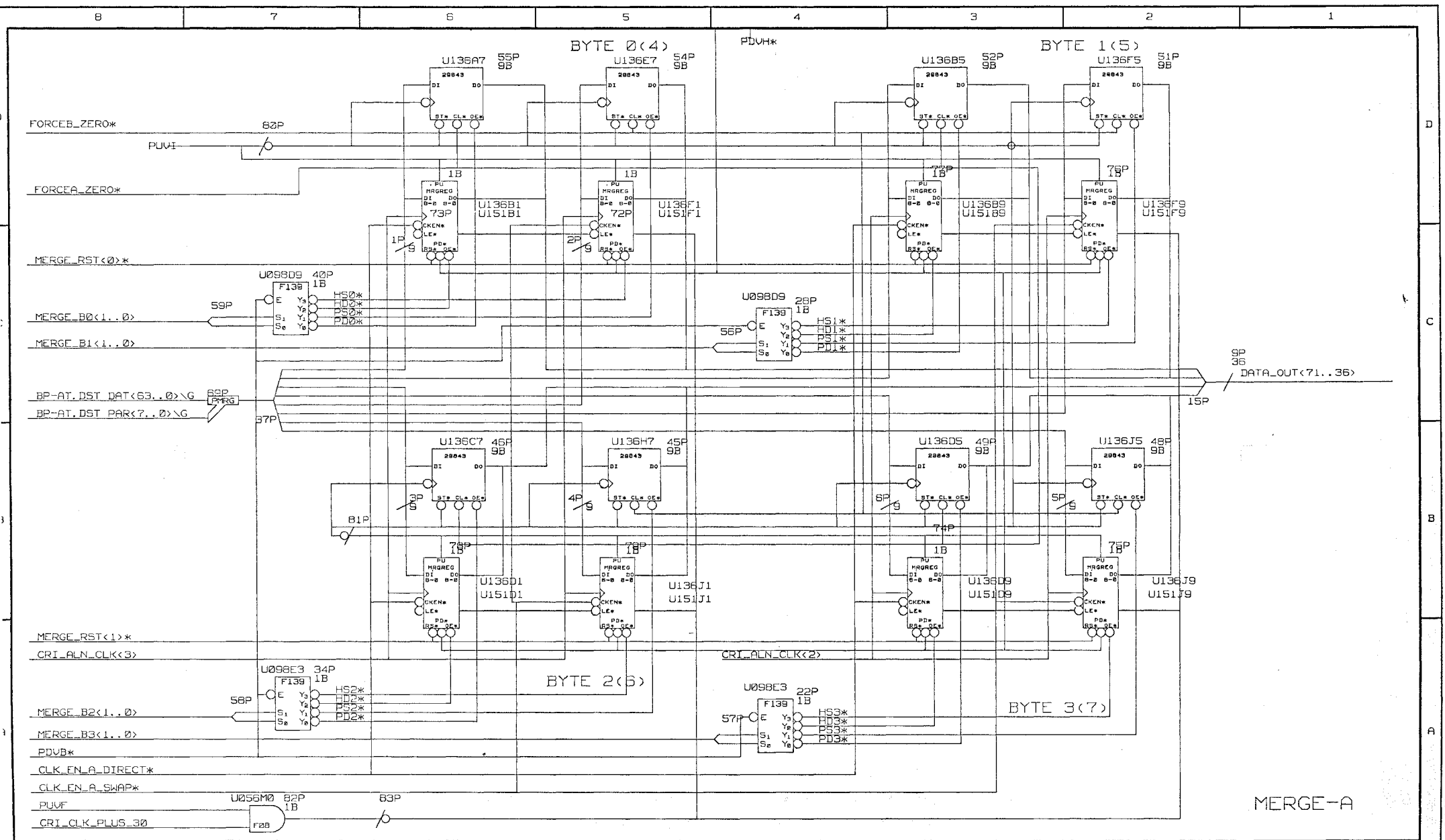
THIS DOCUMENT CONTAINS INFORMATION PROPRIETARY TO CONVEX COMPUTER CORPORATION (CONVEX). USE OR DISCLOSURE WITHOUT THE WRITTEN PERMISSION OF AN OFFICER OF CONVEX IS EXPRESSLY FORBIDDEN. COPYRIGHT (C) CONVEX 1985



TITLE: ATU  
 DRAWING: 410-000125-300 REV 001  
 REVISED: Tue Feb 12 17:58:08 1985

ABBR: ATU  
 ENGR: CHASTAIN

PAGE: ATU.33



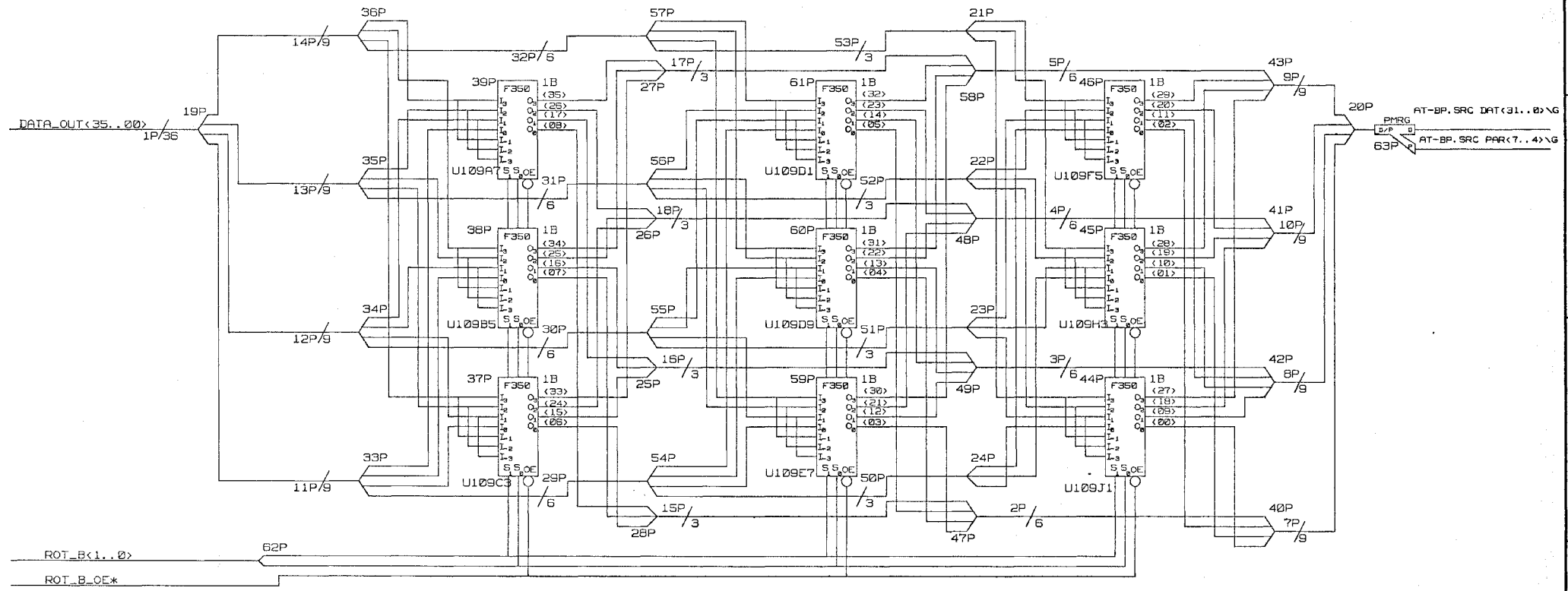
THIS DOCUMENT CONTAINS INFORMATION PROPRIETARY TO CONVEX COMPUTER CORPORATION (CONVEX). USE OR DISCLOSURE WITHOUT THE WRITTEN PERMISSION OF AN OFFICER OF CONVEX IS EXPRESSLY FORBIDDEN. COPYRIGHT (C) CONVEX 1985



TITLE: ATU  
DRAWING: 410-000125-300 REV D01

ABBR: ATU  
ENGR: CHASTAIN

REVISED: Tue Feb 12 18:00:53 1985 PAGE: ATU.34



S1	S0	OUTPUT BYTES
0	0	0 1 2 3
0	1	1 2 3 0
1	0	2 3 0 1
1	1	3 0 1 2

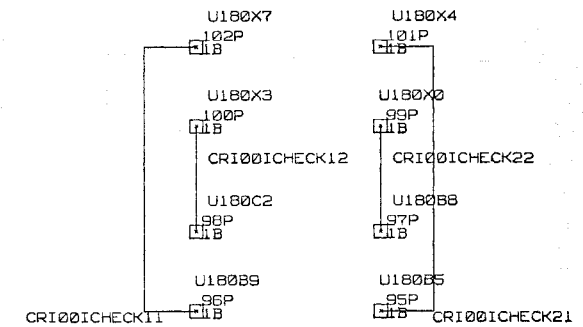
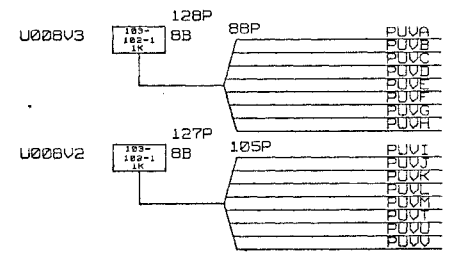
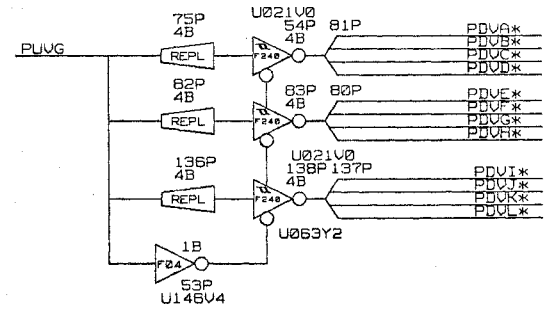
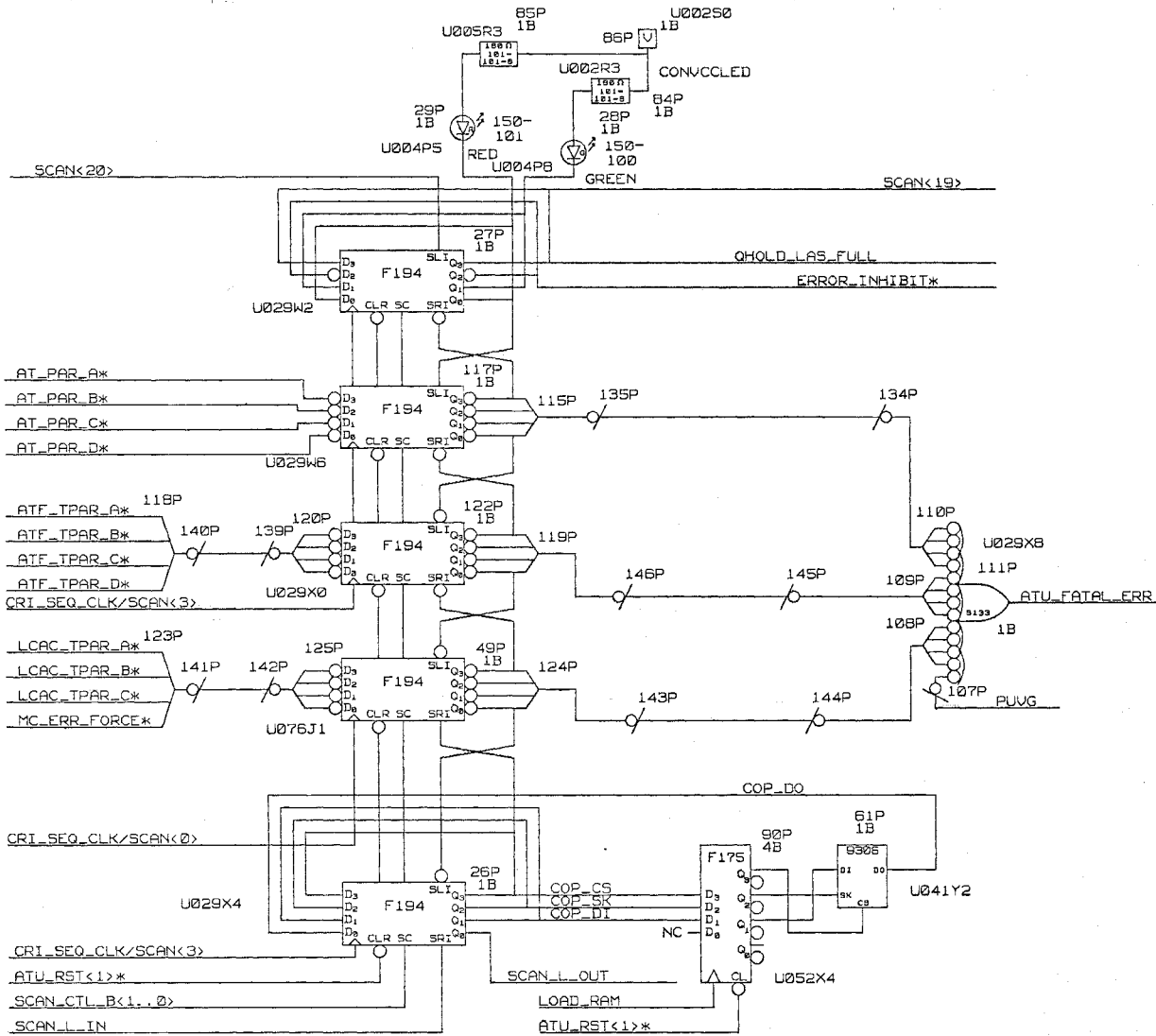
THIS DOCUMENT CONTAINS INFORMATION PROPRIETARY TO CONVEX COMPUTER CORPORATION (CONVEX). USE OR DISCLOSURE WITHOUT THE WRITTEN PERMISSION OF AN OFFICER OF CONVEX IS EXPRESSLY FORBIDDEN. COPYRIGHT (C) CONVEX 1985



TITLE: ATU  
 DRAWING: 410-000125-300 REV D01  
 REVISED: Tue Feb 12 18:02:45 1985 PAGE: ATU.35  
 ABBR: ATU  
 ENGR: CHASTAIN







BOARD ID AND ERROR REGISTER

THIS DOCUMENT CONTAINS INFORMATION PROPRIETARY TO CONVEX COMPUTER CORPORATION (CONVEX). USE OR DISCLOSURE WITHOUT THE WRITTEN PERMISSION OF AN OFFICER OF CONVEX IS EXPRESSLY FORBIDDEN. COPYRIGHT (C) CONVEX 1985



TITLE: ATU  
DRAWING: 410-000125-300 REV D01  
REVISED: Tue Feb 19 09:33:05 1985

ABBR: ATU  
ENGR: CHASTAIN

PAGE: ATU.38

1P  
300-41612-396  
UIBBD9

A	
01	CONUCC \G
02	CONUCC \G
03	CONUCC \G
04	CONGND \G
05	CONGND \G
06	
07	NC
08	AT-BP. SRC DAT<50>\G
09	CONGND \G
10	AT-BP. SRC DAT<55>\G
11	BP-AT. DST DAT<49>\G
12	BP-AT. DST DAT<52>\G
13	BP-AT. DST DAT<55>\G
14	AT-BP. SRC DAT<24>\G
15	AT-BP. SRC DAT<27>\G
16	AT-BP. SRC DAT<30>\G
17	CONGND \G
18	BP-AT. DST DAT<26>\G
19	BP-AT. DST DAT<29>\G
20	BP-AT. DST PAR<4>\G
21	AT-BP. SRC DAT<58>\G
22	AT-BP. SRC DAT<60>\G
23	AT-BP. SRC DAT<63>\G
24	BP-AT. DST DAT<57>\G
25	CONGND \G
26	BP-AT. DST DAT<62>\G
27	CONGND \G
28	CONGND \G
29	CONGND \G
30	CONUCC \G
31	CONUCC \G
32	CONUCC \G

B	
01	CONUCC \G
02	CONUCC \G
03	CONUCC \G
04	CONGND \G
05	CONGND \G
06	CONGND \G
07	AT-BP. SRC DAT<40>\G
08	AT-BP. SRC DAT<51>\G
09	AT-BP. SRC DAT<53>\G
10	AT-BP. SRC PAR<1>\G
11	BP-AT. DST DAT<50>\G
12	BP-AT. DST DAT<53>\G
13	BP-AT. DST PAR<1>\G
14	AT-BP. SRC DAT<25>\G
15	AT-BP. SRC DAT<28>\G
16	AT-BP. SRC DAT<31>\G
17	BP-AT. DST DAT<24>\G
18	BP-AT. DST DAT<27>\G
19	BP-AT. DST DAT<30>\G
20	AT-BP. SRC DAT<56>\G
21	AT-BP. SRC DAT<59>\G
22	AT-BP. SRC DAT<61>\G
23	AT-BP. SRC PAR<0>\G
24	BP-AT. DST DAT<58>\G
25	BP-AT. DST DAT<60>\G
26	BP-AT. DST DAT<63>\G
27	CONGND \G
28	CONGND \G
29	CONGND \G
30	CONUCC \G
31	CONUCC \G
32	CONUCC \G

C	
01	CONUCC \G
02	CONUCC \G
03	CONUCC \G
04	CONGND \G
05	CONGND \G
06	CONGND \G
07	AT-BP. SRC DAT<49>\G
08	AT-BP. SRC DAT<52>\G
09	AT-BP. SRC DAT<54>\G
10	BP-AT. DST DAT<48>\G
11	BP-AT. DST DAT<51>\G
12	BP-AT. DST DAT<54>\G
13	CONGND \G
14	AT-BP. SRC DAT<26>\G
15	AT-BP. SRC DAT<29>\G
16	AT-BP. SRC PAR<4>\G
17	BP-AT. DST DAT<25>\G
18	BP-AT. DST DAT<28>\G
19	BP-AT. DST DAT<31>\G
20	AT-BP. SRC DAT<57>\G
21	CONGND \G
22	AT-BP. SRC DAT<62>\G
23	BP-AT. DST DAT<56>\G
24	BP-AT. DST DAT<59>\G
25	BP-AT. DST DAT<61>\G
26	BP-AT. DST PAR<0>\G
27	CONGND \G
28	CONGND \G
29	CONGND \G
30	CONUCC \G
31	CONUCC \G
32	CONUCC \G

CONNECTOR P1

THIS DOCUMENT CONTAINS INFORMATION PROPRIETARY TO CONVEX COMPUTER CORPORATION (CONVEX). USE OR DISCLOSURE WITHOUT THE WRITTEN PERMISSION OF AN OFFICER OF CONVEX IS EXPRESSLY FORBIDDEN. COPYRIGHT (C) CONVEX 1985



TITLE: ATU	ABBR: ATU
DRAWING: 410-000125-300 REV D01	ENGR: CHASTAIN
REVISED: Tue Feb 12 18:23:47 1985	PAGE: ATU.39

1P  
300-41612-396  
U188J8

- A 01 CONGND \G
- 02 AT-BP. SRC DAT<4>\G
- 03 AT-BP. SRC DAT<7>\G
- 04 BP-AT. DST DAT<1>\G
- 05 BP-AT. DST DAT<4>\G
- 06 BP-AT. DST DAT<6>\G
- 07 AT-BP. SRC DAT<32>\G
- 08 AT-BP. SRC DAT<35>\G
- 09 CONGND \G
- 10 AT-BP. SRC PAR<3>\G
- 11 BP-AT. DST DAT<34>\G
- 12 BP-AT. DST DAT<37>\G
- 13 BP-AT. DST PAR<3>\G
- 14 AT-BP. SRC DAT<9>\G
- 15 AT-BP. SRC DAT<12>\G
- 16 AT-BP. SRC DAT<15>\G
- 17 CONGND \G
- 18 BP-AT. DST DAT<11>\G
- 19 BP-AT. DST DAT<14>\G
- 20 AT-BP. SRC DAT<40>\G
- 21 AT-BP. SRC DAT<43>\G
- 22 AT-BP. SRC DAT<45>\G
- 23 AT-BP. SRC PAR<2>\G
- 24 BP-AT. DST DAT<42>\G
- 25 CONGND \G
- 26 BP-AT. DST DAT<47>\G
- 27 AT-BP. SRC DAT<17>\G
- 28 AT-BP. SRC DAT<20>\G
- 29 AT-BP. SRC DAT<23>\G
- 30 BP-AT. DST DAT<16>\G
- 31 BP-AT. DST DAT<19>\G
- 32 BP-AT. DST DAT<22>\G

- B 01 AT-BP. SRC DAT<2>\G
- 02 AT-BP. SRC DAT<5>\G
- 03 AT-BP. SRC PAR<7>\G
- 04 BP-AT. DST DAT<2>\G
- 05 BP-AT. DST DAT<5>\G
- 06 BP-AT. DST DAT<7>\G
- 07 AT-BP. SRC DAT<33>\G
- 08 AT-BP. SRC DAT<36>\G
- 09 AT-BP. SRC DAT<38>\G
- 10 BP-AT. DST DAT<32>\G
- 11 BP-AT. DST DAT<35>\G
- 12 BP-AT. DST DAT<38>\G
- 13 AT-BP. SRC DAT<8>\G
- 14 AT-BP. SRC DAT<10>\G
- 15 AT-BP. SRC DAT<13>\G
- 16 AT-BP. SRC PAR<6>\G
- 17 BP-AT. DST DAT<9>\G
- 18 BP-AT. DST DAT<12>\G
- 19 BP-AT. DST DAT<15>\G
- 20 AT-BP. SRC DAT<41>\G
- 21 AT-BP. SRC DAT<44>\G
- 22 AT-BP. SRC DAT<46>\G
- 23 BP-AT. DST DAT<40>\G
- 24 BP-AT. DST DAT<43>\G
- 25 BP-AT. DST DAT<45>\G
- 26 BP-AT. DST PAR<2>\G
- 27 AT-BP. SRC DAT<18>\G
- 28 AT-BP. SRC DAT<21>\G
- 29 AT-BP. SRC PAR<5>\G
- 30 BP-AT. DST DAT<17>\G
- 31 BP-AT. DST DAT<20>\G
- 32 BP-AT. DST DAT<23>\G

- C 01 AT-BP. SRC DAT<3>\G
- 02 AT-BP. SRC DAT<6>\G
- 03 BP-AT. DST DAT<0>\G
- 04 BP-AT. DST DAT<3>\G
- 05 CONGND \G
- 06 BP-AT. DST PAR<7>\G
- 07 AT-BP. SRC DAT<34>\G
- 08 AT-BP. SRC DAT<37>\G
- 09 AT-BP. SRC DAT<39>\G
- 10 BP-AT. DST DAT<33>\G
- 11 BP-AT. DST DAT<36>\G
- 12 BP-AT. DST DAT<39>\G
- 13 CONGND \G
- 14 AT-BP. SRC DAT<11>\G
- 15 AT-BP. SRC DAT<14>\G
- 16 BP-AT. DST DAT<8>\G
- 17 BP-AT. DST DAT<10>\G
- 18 BP-AT. DST DAT<13>\G
- 19 BP-AT. DST PAR<6>\G
- 20 AT-BP. SRC DAT<42>\G
- 21 CONGND \G
- 22 AT-BP. SRC DAT<47>\G
- 23 BP-AT. DST DAT<41>\G
- 24 BP-AT. DST DAT<44>\G
- 25 BP-AT. DST DAT<46>\G
- 26 AT-BP. SRC DAT<16>\G
- 27 AT-BP. SRC DAT<19>\G
- 28 AT-BP. SRC DAT<22>\G
- 29 CONGND \G
- 30 BP-AT. DST DAT<18>\G
- 31 BP-AT. DST DAT<21>\G
- 32 BP-AT. DST PAR<5>\G

CONNECTOR P2

THIS DOCUMENT CONTAINS INFORMATION PROPRIETARY TO CONVEX COMPUTER CORPORATION (CONVEX). USE OR DISCLOSURE WITHOUT THE WRITTEN PERMISSION OF AN OFFICER OF CONVEX IS EXPRESSLY FORBIDDEN. COPYRIGHT (C) CONVEX 1985



TITLE: ATU	ABBR: ATU
DRAWING: 410-000125-300 REV D01	ENGR: CHASTAIN
REVISED: Tue Feb 12 18:24:48 1985	PAGE: ATU. 40

> QST_HAZ	16P	AT-PM.QST_HAZ\G	>
> OFLT_COND<1>* 13P	13P	AT-PM.ATF_MISS*\G	>
> QLCAC_VALID	12P	AT-PM.LC_VALID\G	>
> QLCAC_PURGE*	11P	AT-PM.LC_PURGE*\G	>
> QLCAC_WR*	10P	AT-PM.LC_WR*\G	>
> QLCAC_ST_INH*	9P	AT-PM.LC_ST_INH*\G	>
> QLCAC_DATA_RD*	8P	AT-PM.LC_DATA_RD*\G	>
> QLCAC_INDRD*	7P	AT-PM.LC_INDRD*\G	>
> QLCAC_NALRD*	6P	AT-PM.LC_NALRD*\G	>
> QDISP_OR_INDRD*	5P	AT-PM.DSP_OR_RET*\G	>
> QSDS_FULL	4P	AT-PM.SDS_FULL\G	>
> OFLT_COND<7>* 14P	3P	AT-PM.ATF_FALLING	>
> QIDLE	2P	AT-PM.IDLE\G	>
> QLAS_FULL	15P	AT-PM.LAS_FULL\G	>

PERFORMANCE MONITOR OUTPUTS

300-41612-396	1P	U188N7																																																																																																																																																																																																																																																																																																																																																																																																												
<table border="0" style="width:100%;"> <tr><td style="width:5%;">A</td><td style="width:5%;"></td><td style="width:90%;">CONGND \G</td><td style="width:5%;"></td></tr> <tr><td>01</td><td>○</td><td>AT-PM.SEG ENAB&lt;7&gt;*\G</td><td></td></tr> <tr><td>02</td><td>○</td><td>AT-PM.SEG ENAB&lt;6&gt;*\G</td><td></td></tr> <tr><td>03</td><td>○</td><td>AT-PM.SEG ENAB&lt;5&gt;*\G</td><td></td></tr> <tr><td>04</td><td>○</td><td>AT-PM.SEG ENAB&lt;4&gt;*\G</td><td></td></tr> <tr><td>05</td><td>○</td><td>AT-PM.SEG ENAB&lt;3&gt;*\G</td><td></td></tr> <tr><td>06</td><td>○</td><td>AT-PM.SEG ENAB&lt;2&gt;*\G</td><td></td></tr> <tr><td>07</td><td>○</td><td>AT-PM.SEG ENAB&lt;1&gt;*\G</td><td></td></tr> <tr><td>08</td><td>○</td><td>CONGND \G</td><td></td></tr> <tr><td>09</td><td>○</td><td>AT-PM.SEG ENAB&lt;0&gt;*\G</td><td></td></tr> <tr><td>10</td><td>○</td><td>AT-PM.QSEQ CLK BLK\G</td><td></td></tr> <tr><td>11</td><td></td><td></td><td></td></tr> <tr><td>12</td><td></td><td></td><td></td></tr> <tr><td>13</td><td></td><td>AT-BP.DATA SIZ/VAL&lt;0&gt;\G</td><td></td></tr> <tr><td>14</td><td></td><td>AT-BP.RTN CTL&lt;0&gt;\G</td><td></td></tr> <tr><td>15</td><td></td><td>AT-BP.RTN CTL&lt;3&gt;\G</td><td></td></tr> <tr><td>16</td><td></td><td>AS-AT.REQCYC&lt;1&gt;\G</td><td></td></tr> <tr><td>17</td><td></td><td>CONGND \G</td><td></td></tr> <tr><td>18</td><td></td><td>BP-AT.RTN CTL&lt;0&gt;\G</td><td></td></tr> <tr><td>19</td><td></td><td>BP-AT.RTN CTL&lt;3&gt;\G</td><td></td></tr> <tr><td>20</td><td></td><td>AS-AT.REQSIZ&lt;1&gt;\G</td><td></td></tr> <tr><td>21</td><td></td><td>BP-AT.LADDR&lt;2&gt;\G</td><td></td></tr> <tr><td>22</td><td></td><td>BP-AT.LADDR&lt;4&gt;\G</td><td></td></tr> <tr><td>23</td><td></td><td>BP-AT.LADDR&lt;7&gt;\G</td><td></td></tr> <tr><td>24</td><td></td><td>BP-AT.LADDR&lt;10&gt;\G</td><td></td></tr> <tr><td>25</td><td></td><td>CONGND \G</td><td></td></tr> <tr><td>26</td><td></td><td>BP-AT.LADDR&lt;15&gt;\G</td><td></td></tr> <tr><td>27</td><td></td><td>BP-AT.LADDR&lt;18&gt;\G</td><td></td></tr> <tr><td>28</td><td></td><td>BP-AT.LADDR&lt;21&gt;\G</td><td></td></tr> <tr><td>29</td><td></td><td>BP-AT.LADDR&lt;24&gt;\G</td><td></td></tr> <tr><td>30</td><td></td><td>BP-AT.LADDR&lt;26&gt;\G</td><td></td></tr> <tr><td>31</td><td></td><td>BP-AT.LADDR&lt;29&gt;\G</td><td></td></tr> <tr><td>32</td><td></td><td>IP-AT.REQ CYC\G</td><td></td></tr> </table>	A		CONGND \G		01	○	AT-PM.SEG ENAB<7>*\G		02	○	AT-PM.SEG ENAB<6>*\G		03	○	AT-PM.SEG ENAB<5>*\G		04	○	AT-PM.SEG ENAB<4>*\G		05	○	AT-PM.SEG ENAB<3>*\G		06	○	AT-PM.SEG ENAB<2>*\G		07	○	AT-PM.SEG ENAB<1>*\G		08	○	CONGND \G		09	○	AT-PM.SEG ENAB<0>*\G		10	○	AT-PM.QSEQ CLK BLK\G		11				12				13		AT-BP.DATA SIZ/VAL<0>\G		14		AT-BP.RTN CTL<0>\G		15		AT-BP.RTN CTL<3>\G		16		AS-AT.REQCYC<1>\G		17		CONGND \G		18		BP-AT.RTN CTL<0>\G		19		BP-AT.RTN CTL<3>\G		20		AS-AT.REQSIZ<1>\G		21		BP-AT.LADDR<2>\G		22		BP-AT.LADDR<4>\G		23		BP-AT.LADDR<7>\G		24		BP-AT.LADDR<10>\G		25		CONGND \G		26		BP-AT.LADDR<15>\G		27		BP-AT.LADDR<18>\G		28		BP-AT.LADDR<21>\G		29		BP-AT.LADDR<24>\G		30		BP-AT.LADDR<26>\G		31		BP-AT.LADDR<29>\G		32		IP-AT.REQ CYC\G		<table border="0" style="width:100%;"> <tr><td style="width:5%;">B</td><td style="width:5%;"></td><td style="width:90%;">AT-PM.ATF_HIT*\G</td><td style="width:5%;"></td></tr> <tr><td>01</td><td>○</td><td>AT-PM.ATF_MISS*\G</td><td></td></tr> <tr><td>02</td><td>○</td><td>AT-PM.ATF_FALLING</td><td></td></tr> <tr><td>03</td><td>○</td><td>AT-PM.LC_VALID\G</td><td></td></tr> <tr><td>04</td><td>○</td><td>AT-PM.LC_PURGE*\G</td><td></td></tr> <tr><td>05</td><td>○</td><td>AT-PM.LC_WR*\G</td><td></td></tr> <tr><td>06</td><td>○</td><td>AT-PM.LC_ST_INH*\G</td><td></td></tr> <tr><td>07</td><td>○</td><td>AT-PM.LC_DATA_RD*\G</td><td></td></tr> <tr><td>08</td><td>○</td><td>AT-PM.LC_INDRD*\G</td><td></td></tr> <tr><td>09</td><td>○</td><td>AT-PM.LC_NALRD*\G</td><td></td></tr> <tr><td>10</td><td>○</td><td>AT-PM.LC_UPDATE\G</td><td></td></tr> <tr><td>11</td><td></td><td></td><td></td></tr> <tr><td>12</td><td></td><td></td><td></td></tr> <tr><td>13</td><td></td><td>AT-BP.DATA SIZ/VAL&lt;1&gt;\G</td><td></td></tr> <tr><td>14</td><td></td><td>AT-BP.RTN CTL&lt;1&gt;\G</td><td></td></tr> <tr><td>15</td><td></td><td>AT-BP.RTN CTL&lt;4&gt;\G</td><td></td></tr> <tr><td>16</td><td></td><td>AS-AT.REQCYC&lt;2&gt;\G</td><td></td></tr> <tr><td>17</td><td></td><td>AS-AT.REQCYC&lt;4&gt;\G</td><td></td></tr> <tr><td>18</td><td></td><td>BP-AT.RTN CTL&lt;1&gt;\G</td><td></td></tr> <tr><td>19</td><td></td><td>BP-AT.RTN CTL&lt;4&gt;\G</td><td></td></tr> <tr><td>20</td><td></td><td>BP-AT.LADDR&lt;0&gt;\G</td><td></td></tr> <tr><td>21</td><td></td><td>BP-AT.LADDR&lt;3&gt;\G</td><td></td></tr> <tr><td>22</td><td></td><td>BP-AT.LADDR&lt;5&gt;\G</td><td></td></tr> <tr><td>23</td><td></td><td>BP-AT.LADDR&lt;8&gt;\G</td><td></td></tr> <tr><td>24</td><td></td><td>BP-AT.LADDR&lt;11&gt;\G</td><td></td></tr> <tr><td>25</td><td></td><td>BP-AT.LADDR&lt;13&gt;\G</td><td></td></tr> <tr><td>26</td><td></td><td>BP-AT.LADDR&lt;16&gt;\G</td><td></td></tr> <tr><td>27</td><td></td><td>BP-AT.LADDR&lt;19&gt;\G</td><td></td></tr> <tr><td>28</td><td></td><td>BP-AT.LADDR&lt;22&gt;\G</td><td></td></tr> <tr><td>29</td><td></td><td>BP-AT.LADDR&lt;25&gt;\G</td><td></td></tr> <tr><td>30</td><td></td><td>BP-AT.LADDR&lt;27&gt;\G</td><td></td></tr> <tr><td>31</td><td></td><td>BP-AT.LADDR&lt;30&gt;\G</td><td></td></tr> <tr><td>32</td><td></td><td>AT-BP.SRC DAT&lt;0&gt;\G</td><td></td></tr> </table>	B		AT-PM.ATF_HIT*\G		01	○	AT-PM.ATF_MISS*\G		02	○	AT-PM.ATF_FALLING		03	○	AT-PM.LC_VALID\G		04	○	AT-PM.LC_PURGE*\G		05	○	AT-PM.LC_WR*\G		06	○	AT-PM.LC_ST_INH*\G		07	○	AT-PM.LC_DATA_RD*\G		08	○	AT-PM.LC_INDRD*\G		09	○	AT-PM.LC_NALRD*\G		10	○	AT-PM.LC_UPDATE\G		11				12				13		AT-BP.DATA SIZ/VAL<1>\G		14		AT-BP.RTN CTL<1>\G		15		AT-BP.RTN CTL<4>\G		16		AS-AT.REQCYC<2>\G		17		AS-AT.REQCYC<4>\G		18		BP-AT.RTN CTL<1>\G		19		BP-AT.RTN CTL<4>\G		20		BP-AT.LADDR<0>\G		21		BP-AT.LADDR<3>\G		22		BP-AT.LADDR<5>\G		23		BP-AT.LADDR<8>\G		24		BP-AT.LADDR<11>\G		25		BP-AT.LADDR<13>\G		26		BP-AT.LADDR<16>\G		27		BP-AT.LADDR<19>\G		28		BP-AT.LADDR<22>\G		29		BP-AT.LADDR<25>\G		30		BP-AT.LADDR<27>\G		31		BP-AT.LADDR<30>\G		32		AT-BP.SRC DAT<0>\G		<table border="0" style="width:100%;"> <tr><td style="width:5%;">C</td><td style="width:5%;"></td><td style="width:90%;">AT-PM.DSP_OR_RET*\G</td><td style="width:5%;"></td></tr> <tr><td>01</td><td>○</td><td>AT-PM.SDS_FULL\G</td><td></td></tr> <tr><td>02</td><td>○</td><td>AT-PM.IDLE\G</td><td></td></tr> <tr><td>03</td><td>○</td><td>AT-PM.LAS_FULL\G</td><td></td></tr> <tr><td>04</td><td>○</td><td>CONGND \G</td><td></td></tr> <tr><td>05</td><td>○</td><td>AT-PM.QUE STATE&lt;3&gt;*\G</td><td></td></tr> <tr><td>06</td><td>○</td><td>AT-PM.QUE STATE&lt;2&gt;*\G</td><td></td></tr> <tr><td>07</td><td>○</td><td>AT-PM.QUE STATE&lt;1&gt;*\G</td><td></td></tr> <tr><td>08</td><td>○</td><td>AT-PM.QUE STATE&lt;0&gt;*\G</td><td></td></tr> <tr><td>09</td><td>○</td><td>AT-PM.QUE EMPTY*\G</td><td></td></tr> <tr><td>10</td><td>○</td><td>AT-PM.QST_HAZ\G</td><td></td></tr> <tr><td>11</td><td></td><td></td><td></td></tr> <tr><td>12</td><td></td><td></td><td></td></tr> <tr><td>13</td><td></td><td>CONGND \G</td><td></td></tr> <tr><td>14</td><td></td><td>AT-BP.RTN CTL&lt;2&gt;\G</td><td></td></tr> <tr><td>15</td><td></td><td>AS-AT.REQCYC&lt;0&gt;\G</td><td></td></tr> <tr><td>16</td><td></td><td>AS-AT.REQCYC&lt;3&gt;\G</td><td></td></tr> <tr><td>17</td><td></td><td>AS-AT.REQCYC&lt;5&gt;\G</td><td></td></tr> <tr><td>18</td><td></td><td>BP-AT.RTN CTL&lt;2&gt;\G</td><td></td></tr> <tr><td>19</td><td></td><td>AS-AT.REQSIZ&lt;0&gt;\G</td><td></td></tr> <tr><td>20</td><td></td><td>BP-AT.LADDR&lt;1&gt;\G</td><td></td></tr> <tr><td>21</td><td></td><td>CONGND \G</td><td></td></tr> <tr><td>22</td><td></td><td>BP-AT.LADDR&lt;6&gt;\G</td><td></td></tr> <tr><td>23</td><td></td><td>BP-AT.LADDR&lt;9&gt;\G</td><td></td></tr> <tr><td>24</td><td></td><td>BP-AT.LADDR&lt;12&gt;\G</td><td></td></tr> <tr><td>25</td><td></td><td>BP-AT.LADDR&lt;14&gt;\G</td><td></td></tr> <tr><td>26</td><td></td><td>BP-AT.LADDR&lt;17&gt;\G</td><td></td></tr> <tr><td>27</td><td></td><td>BP-AT.LADDR&lt;20&gt;\G</td><td></td></tr> <tr><td>28</td><td></td><td>BP-AT.LADDR&lt;23&gt;\G</td><td></td></tr> <tr><td>29</td><td></td><td>CONGND \G</td><td></td></tr> <tr><td>30</td><td></td><td>BP-AT.LADDR&lt;28&gt;\G</td><td></td></tr> <tr><td>31</td><td></td><td>BP-AT.LADDR&lt;31&gt;\G</td><td></td></tr> <tr><td>32</td><td></td><td>AT-BP.SRC DAT&lt;1&gt;\G</td><td></td></tr> </table>	C		AT-PM.DSP_OR_RET*\G		01	○	AT-PM.SDS_FULL\G		02	○	AT-PM.IDLE\G		03	○	AT-PM.LAS_FULL\G		04	○	CONGND \G		05	○	AT-PM.QUE STATE<3>*\G		06	○	AT-PM.QUE STATE<2>*\G		07	○	AT-PM.QUE STATE<1>*\G		08	○	AT-PM.QUE STATE<0>*\G		09	○	AT-PM.QUE EMPTY*\G		10	○	AT-PM.QST_HAZ\G		11				12				13		CONGND \G		14		AT-BP.RTN CTL<2>\G		15		AS-AT.REQCYC<0>\G		16		AS-AT.REQCYC<3>\G		17		AS-AT.REQCYC<5>\G		18		BP-AT.RTN CTL<2>\G		19		AS-AT.REQSIZ<0>\G		20		BP-AT.LADDR<1>\G		21		CONGND \G		22		BP-AT.LADDR<6>\G		23		BP-AT.LADDR<9>\G		24		BP-AT.LADDR<12>\G		25		BP-AT.LADDR<14>\G		26		BP-AT.LADDR<17>\G		27		BP-AT.LADDR<20>\G		28		BP-AT.LADDR<23>\G		29		CONGND \G		30		BP-AT.LADDR<28>\G		31		BP-AT.LADDR<31>\G		32		AT-BP.SRC DAT<1>\G	
A		CONGND \G																																																																																																																																																																																																																																																																																																																																																																																																												
01	○	AT-PM.SEG ENAB<7>*\G																																																																																																																																																																																																																																																																																																																																																																																																												
02	○	AT-PM.SEG ENAB<6>*\G																																																																																																																																																																																																																																																																																																																																																																																																												
03	○	AT-PM.SEG ENAB<5>*\G																																																																																																																																																																																																																																																																																																																																																																																																												
04	○	AT-PM.SEG ENAB<4>*\G																																																																																																																																																																																																																																																																																																																																																																																																												
05	○	AT-PM.SEG ENAB<3>*\G																																																																																																																																																																																																																																																																																																																																																																																																												
06	○	AT-PM.SEG ENAB<2>*\G																																																																																																																																																																																																																																																																																																																																																																																																												
07	○	AT-PM.SEG ENAB<1>*\G																																																																																																																																																																																																																																																																																																																																																																																																												
08	○	CONGND \G																																																																																																																																																																																																																																																																																																																																																																																																												
09	○	AT-PM.SEG ENAB<0>*\G																																																																																																																																																																																																																																																																																																																																																																																																												
10	○	AT-PM.QSEQ CLK BLK\G																																																																																																																																																																																																																																																																																																																																																																																																												
11																																																																																																																																																																																																																																																																																																																																																																																																														
12																																																																																																																																																																																																																																																																																																																																																																																																														
13		AT-BP.DATA SIZ/VAL<0>\G																																																																																																																																																																																																																																																																																																																																																																																																												
14		AT-BP.RTN CTL<0>\G																																																																																																																																																																																																																																																																																																																																																																																																												
15		AT-BP.RTN CTL<3>\G																																																																																																																																																																																																																																																																																																																																																																																																												
16		AS-AT.REQCYC<1>\G																																																																																																																																																																																																																																																																																																																																																																																																												
17		CONGND \G																																																																																																																																																																																																																																																																																																																																																																																																												
18		BP-AT.RTN CTL<0>\G																																																																																																																																																																																																																																																																																																																																																																																																												
19		BP-AT.RTN CTL<3>\G																																																																																																																																																																																																																																																																																																																																																																																																												
20		AS-AT.REQSIZ<1>\G																																																																																																																																																																																																																																																																																																																																																																																																												
21		BP-AT.LADDR<2>\G																																																																																																																																																																																																																																																																																																																																																																																																												
22		BP-AT.LADDR<4>\G																																																																																																																																																																																																																																																																																																																																																																																																												
23		BP-AT.LADDR<7>\G																																																																																																																																																																																																																																																																																																																																																																																																												
24		BP-AT.LADDR<10>\G																																																																																																																																																																																																																																																																																																																																																																																																												
25		CONGND \G																																																																																																																																																																																																																																																																																																																																																																																																												
26		BP-AT.LADDR<15>\G																																																																																																																																																																																																																																																																																																																																																																																																												
27		BP-AT.LADDR<18>\G																																																																																																																																																																																																																																																																																																																																																																																																												
28		BP-AT.LADDR<21>\G																																																																																																																																																																																																																																																																																																																																																																																																												
29		BP-AT.LADDR<24>\G																																																																																																																																																																																																																																																																																																																																																																																																												
30		BP-AT.LADDR<26>\G																																																																																																																																																																																																																																																																																																																																																																																																												
31		BP-AT.LADDR<29>\G																																																																																																																																																																																																																																																																																																																																																																																																												
32		IP-AT.REQ CYC\G																																																																																																																																																																																																																																																																																																																																																																																																												
B		AT-PM.ATF_HIT*\G																																																																																																																																																																																																																																																																																																																																																																																																												
01	○	AT-PM.ATF_MISS*\G																																																																																																																																																																																																																																																																																																																																																																																																												
02	○	AT-PM.ATF_FALLING																																																																																																																																																																																																																																																																																																																																																																																																												
03	○	AT-PM.LC_VALID\G																																																																																																																																																																																																																																																																																																																																																																																																												
04	○	AT-PM.LC_PURGE*\G																																																																																																																																																																																																																																																																																																																																																																																																												
05	○	AT-PM.LC_WR*\G																																																																																																																																																																																																																																																																																																																																																																																																												
06	○	AT-PM.LC_ST_INH*\G																																																																																																																																																																																																																																																																																																																																																																																																												
07	○	AT-PM.LC_DATA_RD*\G																																																																																																																																																																																																																																																																																																																																																																																																												
08	○	AT-PM.LC_INDRD*\G																																																																																																																																																																																																																																																																																																																																																																																																												
09	○	AT-PM.LC_NALRD*\G																																																																																																																																																																																																																																																																																																																																																																																																												
10	○	AT-PM.LC_UPDATE\G																																																																																																																																																																																																																																																																																																																																																																																																												
11																																																																																																																																																																																																																																																																																																																																																																																																														
12																																																																																																																																																																																																																																																																																																																																																																																																														
13		AT-BP.DATA SIZ/VAL<1>\G																																																																																																																																																																																																																																																																																																																																																																																																												
14		AT-BP.RTN CTL<1>\G																																																																																																																																																																																																																																																																																																																																																																																																												
15		AT-BP.RTN CTL<4>\G																																																																																																																																																																																																																																																																																																																																																																																																												
16		AS-AT.REQCYC<2>\G																																																																																																																																																																																																																																																																																																																																																																																																												
17		AS-AT.REQCYC<4>\G																																																																																																																																																																																																																																																																																																																																																																																																												
18		BP-AT.RTN CTL<1>\G																																																																																																																																																																																																																																																																																																																																																																																																												
19		BP-AT.RTN CTL<4>\G																																																																																																																																																																																																																																																																																																																																																																																																												
20		BP-AT.LADDR<0>\G																																																																																																																																																																																																																																																																																																																																																																																																												
21		BP-AT.LADDR<3>\G																																																																																																																																																																																																																																																																																																																																																																																																												
22		BP-AT.LADDR<5>\G																																																																																																																																																																																																																																																																																																																																																																																																												
23		BP-AT.LADDR<8>\G																																																																																																																																																																																																																																																																																																																																																																																																												
24		BP-AT.LADDR<11>\G																																																																																																																																																																																																																																																																																																																																																																																																												
25		BP-AT.LADDR<13>\G																																																																																																																																																																																																																																																																																																																																																																																																												
26		BP-AT.LADDR<16>\G																																																																																																																																																																																																																																																																																																																																																																																																												
27		BP-AT.LADDR<19>\G																																																																																																																																																																																																																																																																																																																																																																																																												
28		BP-AT.LADDR<22>\G																																																																																																																																																																																																																																																																																																																																																																																																												
29		BP-AT.LADDR<25>\G																																																																																																																																																																																																																																																																																																																																																																																																												
30		BP-AT.LADDR<27>\G																																																																																																																																																																																																																																																																																																																																																																																																												
31		BP-AT.LADDR<30>\G																																																																																																																																																																																																																																																																																																																																																																																																												
32		AT-BP.SRC DAT<0>\G																																																																																																																																																																																																																																																																																																																																																																																																												
C		AT-PM.DSP_OR_RET*\G																																																																																																																																																																																																																																																																																																																																																																																																												
01	○	AT-PM.SDS_FULL\G																																																																																																																																																																																																																																																																																																																																																																																																												
02	○	AT-PM.IDLE\G																																																																																																																																																																																																																																																																																																																																																																																																												
03	○	AT-PM.LAS_FULL\G																																																																																																																																																																																																																																																																																																																																																																																																												
04	○	CONGND \G																																																																																																																																																																																																																																																																																																																																																																																																												
05	○	AT-PM.QUE STATE<3>*\G																																																																																																																																																																																																																																																																																																																																																																																																												
06	○	AT-PM.QUE STATE<2>*\G																																																																																																																																																																																																																																																																																																																																																																																																												
07	○	AT-PM.QUE STATE<1>*\G																																																																																																																																																																																																																																																																																																																																																																																																												
08	○	AT-PM.QUE STATE<0>*\G																																																																																																																																																																																																																																																																																																																																																																																																												
09	○	AT-PM.QUE EMPTY*\G																																																																																																																																																																																																																																																																																																																																																																																																												
10	○	AT-PM.QST_HAZ\G																																																																																																																																																																																																																																																																																																																																																																																																												
11																																																																																																																																																																																																																																																																																																																																																																																																														
12																																																																																																																																																																																																																																																																																																																																																																																																														
13		CONGND \G																																																																																																																																																																																																																																																																																																																																																																																																												
14		AT-BP.RTN CTL<2>\G																																																																																																																																																																																																																																																																																																																																																																																																												
15		AS-AT.REQCYC<0>\G																																																																																																																																																																																																																																																																																																																																																																																																												
16		AS-AT.REQCYC<3>\G																																																																																																																																																																																																																																																																																																																																																																																																												
17		AS-AT.REQCYC<5>\G																																																																																																																																																																																																																																																																																																																																																																																																												
18		BP-AT.RTN CTL<2>\G																																																																																																																																																																																																																																																																																																																																																																																																												
19		AS-AT.REQSIZ<0>\G																																																																																																																																																																																																																																																																																																																																																																																																												
20		BP-AT.LADDR<1>\G																																																																																																																																																																																																																																																																																																																																																																																																												
21		CONGND \G																																																																																																																																																																																																																																																																																																																																																																																																												
22		BP-AT.LADDR<6>\G																																																																																																																																																																																																																																																																																																																																																																																																												
23		BP-AT.LADDR<9>\G																																																																																																																																																																																																																																																																																																																																																																																																												
24		BP-AT.LADDR<12>\G																																																																																																																																																																																																																																																																																																																																																																																																												
25		BP-AT.LADDR<14>\G																																																																																																																																																																																																																																																																																																																																																																																																												
26		BP-AT.LADDR<17>\G																																																																																																																																																																																																																																																																																																																																																																																																												
27		BP-AT.LADDR<20>\G																																																																																																																																																																																																																																																																																																																																																																																																												
28		BP-AT.LADDR<23>\G																																																																																																																																																																																																																																																																																																																																																																																																												
29		CONGND \G																																																																																																																																																																																																																																																																																																																																																																																																												
30		BP-AT.LADDR<28>\G																																																																																																																																																																																																																																																																																																																																																																																																												
31		BP-AT.LADDR<31>\G																																																																																																																																																																																																																																																																																																																																																																																																												
32		AT-BP.SRC DAT<1>\G																																																																																																																																																																																																																																																																																																																																																																																																												

THIS DOCUMENT CONTAINS INFORMATION PROPRIETARY TO CONVEX COMPUTER CORPORATION (CONVEX). USE OR DISCLOSURE WITHOUT THE WRITTEN PERMISSION OF AN OFFICER OF CONVEX IS EXPRESSLY FORBIDDEN. COPYRIGHT (C) CONVEX 1985



TITLE: ATU		ABBR: ATU
DRAWING: 410-000125-300 REV D01		ENGR: CHASTAIN
REVISED: Tue Feb 12 18:25:31 1985	PAGE: ATU. 41	

IP  
300-41612-396  
UIB8T6

- A 01 CONGND \G
- 02 AS-AT. INST SEG<0>\G
- 03 AT-PC. WR ZONE<0>\G
- 04 AT-PC. WR ZONE<3>\G
- 05 AT-PC. WR ZONE<6>\G
- 06 AT-PC. A VALID\*\G
- 07 AT-PC. MEM CYC<0>\G
- 08
- 09 CONGND \G
- 10
- 11 AS-BP. ST CONTX\*\G
- 12
- 13 AT-AS. LDVP ACK\*\G
- 14 AT-AS. STVP ACK\*\G
- 15 AS-AT. STMEM REQ\*\G
- 16 AS-AT. STVP REQ\*\G
- 17 CONGND \G
- 18 PC-AT. ADR BUF AV\*\G
- 19 PC-AT. WR BUF AV\*\G
- 20 AT-PC. A WR DAT AV\*\G
- 21
- 22 AT-AS. PAR CK\* \G
- 23
- 24 AT-IP. LD DST\*\G
- 25 CONGND \G
- 26 VC-AT. LD MEM REQ\*\G
- 27 VC-AT. STMEM REQ\*\G
- 28
- 29 AS-AT. LCAC INH\*\G
- 30 AT-VC. LDAS ACK\*\G
- 31 AT-IP. LA EN\*\G
- 32 IP-AT. MEM REQ\*\G

- B 01
- 02 AS-AT. INST SEG<1>\G
- 03 AT-PC. WR ZONE<1>\G
- 04 AT-PC. WR ZONE<4>\G
- 05 AT-PC. WR ZONE<7>\G
- 06 AT-PC. B VALID\*\G
- 07 AT-PC. MEM CYC<1>\G
- 08 AS-AT. FRC FLT EN \G
- 09
- 10 AT-BP. FAULT\*\G
- 11 AS-BP. LD CONTX\* \G
- 12 AT-AS. LCAC HIT\*\G
- 13 AT-AS. LD MEM ACK\*\G
- 14 AT-AS. STMEM ACK\*\G
- 15
- 16 AS-AT. MEMREQ\*\G
- 17 AS-AT. IND\* \G
- 18 AT-PC. A BUF CLR\*\G
- 19 PC-AT. A DAV\*\G
- 20 AT-PC. B WR DAT AV\*\G
- 21
- 22 AT-IP. DST CK \G
- 23 AT-IP. DMODE\* \G
- 24 AT-IP. SEL DST TO SRC1\*\G
- 25
- 26 VC-AT. LDAS REQ\*\G
- 27 AT-AS. LA EN\*\G
- 28 AS-AT. LOG=PHY\*\G
- 29 AT-VC. LD MEM ACK\*\G
- 30 AT-VC. LD&ST ACK\*\G
- 31 AT-IP. LD MEM ACK\*\G
- 32 IP-AT. LD MEM REQ\*\G

- C 01
- 02 AS-AT. INST SEG<2>\G
- 03 AT-PC. WR ZONE<2>\G
- 04 AT-PC. WR ZONE<5>\G
- 05 CONGND \G
- 06 AT-PC. MEMREQ\*\G
- 07 AT-PC. PCAC BYPASS\*\G
- 08 AS-AT. IPU NOFAULT\*\G
- 09 AT-AS. ATU IDLE\*\G
- 10 AS-BP. FAULT RET\*\G
- 11
- 12 AT-AS. LCAC CAND\*\G
- 13 CONGND \G
- 14 AT-AS. STAT ACK\*\G
- 15 PC-AT. NO FLUSH\*\G
- 16 AS-AT. REQ INH\*\G
- 17 AT-PC. DEST EN\*\G
- 18 AT-PC. BBUF CLR\*\G
- 19 PC-AT. B DAV\*\G
- 20 AT-PC. ENCACHE\G
- 21 CONGND \G
- 22 AT-IP. I/O CK \G
- 23 AT-BP. ATU ONLINE\*\G
- 24 AT-IP. SEL DST TO SRC2\* \G
- 25 VC-AT. LD&ST REQ\*\G
- 26 VC-AT. STAS REQ\*\G
- 27
- 28 AS-AT. PURGE LCAC\*\G
- 29 CONGND \G
- 30 AT-VC. STAS ACK\*\G
- 31 AT-VC. STAT ACK\*\G
- 32 AT-VC. STMEM ACK\*\G

CONNECTOR P4

THIS DOCUMENT CONTAINS INFORMATION PROPRIETARY TO CONVEX COMPUTER CORPORATION (CONVEX). USE OR DISCLOSURE WITHOUT THE WRITTEN PERMISSION OF AN OFFICER OF CONVEX IS EXPRESSLY FORBIDDEN. COPYRIGHT (C) CONVEX 1985



TITLE: ATU  
DRAWING: 410-000125-300 REV D01  
REVISD: Tue Feb 12 18:26:16 1985  
PAGE: ATU. 42  
ABBR: ATU  
ENGR: CHASTAIN

300-41612-396  
U188Y5

A	
01	CONVCC \G
02	CONVCC \G
03	CONVCC \G
04	CONGND \G
05	CONGND \G
06	CONGND \G
07	AT-PC. PADDR A<0>\G
08	AT-PC. PADDR A<2>\G
09	CONGND \G
10	AT-PC. PADDR A<5>\G
11	AT-PC. PADDR A<7>\G
12	AT-PC. PADDR A<9>\G
13	AT-PC. PADDR A<11>\G
14	AT-PC. PADDR<12>\G
15	AT-PC. PADDR<14>\G
16	AT-PC. PADDR<16>\G
17	CONGND \G
18	AT-PC. PADDR<19>\G
19	AT-PC. PADDR<21>\G
20	AT-PC. PADDR<23>\G
21	AT-PC. PADDR<25>\G
22	AT-PC. PADDR<27>\G
23	AT-PC. PADDR<30>\G
24	AT-PC. PADDR B<4>\G
25	CONGND \G
26	AT-PC. PADDR B<9>\G
27	CONGND \G
28	CONGND \G
29	CONGND \G
30	CONVCC \G
31	CONVCC \G
32	CONVCC \G

B	
01	CONVCC \G
02	CONVCC \G
03	CONVCC \G
04	CONGND \G
05	CONGND \G
06	CONGND \G
07	IO-AT. ATU20MHZ \G
08	IO-AT. ATUMPHASE \G
09	
10	AT-IO. ATUERR* \G
11	IO-AT. ATUODENA* \G
12	IO-BP. JPDMODE* \G
13	IO-BP. JPSCTL <0>* \G
14	IO-BP. JPSCTL <1>* \G
15	IO-BP. JPLDRAM* \G
16	IO-BP. JPCLEAR* \G
17	IO-BP. JPMSBDOUT*\G
18	IO-BP. JPLSBDOUT*\G
19	BP-BP. JPHALT* \G
20	AT-IP. TRAP EN* \G
21	AT-PC. PADDR<26>\G
22	AT-PC. PADDR<28>\G
23	AT-PC. PADDR B<2>\G
24	AT-PC. PADDR B<5>\G
25	AT-PC. PADDR B<7>\G
26	AT-PC. PADDR B<10>\G
27	CONGND \G
28	CONGND \G
29	CONGND \G
30	CONVCC \G
31	CONVCC \G
32	CONVCC \G

C	
01	CONVCC \G
02	CONVCC \G
03	CONVCC \G
04	CONGND \G
05	CONGND \G
06	CONGND \G
07	AT-PC. PADDR A<1>\G
08	AT-PC. PADDR A<3>\G
09	AT-PC. PADDR A<4>\G
10	AT-PC. PADDR A<6>\G
11	AT-PC. PADDR A<8>\G
12	AT-PC. PADDR A<10>\G
13	CONGND \G
14	AT-PC. PADDR<13>\G
15	AT-PC. PADDR<15>\G
16	AT-PC. PADDR<17>\G
17	AT-PC. PADDR<18>\G
18	AT-PC. PADDR<20>\G
19	AT-PC. PADDR<22>\G
20	AT-PC. PADDR<24>\G
21	CONGND \G
22	AT-PC. PADDR<29>\G
23	AT-PC. PADDR B<3>\G
24	AT-PC. PADDR B<6>\G
25	AT-PC. PADDR B<8>\G
26	AT-PC. PADDR B<11>\G
27	CONGND \G
28	CONGND \G
29	CONGND \G
30	CONVCC \G
31	CONVCC \G
32	CONVCC \G

D  
C  
B  
A

CONNECTOR P5

THIS DOCUMENT CONTAINS INFORMATION PROPRIETARY TO CONVEX COMPUTER CORPORATION (CONVEX). USE OR DISCLOSURE WITHOUT THE WRITTEN PERMISSION OF AN OFFICER OF CONVEX IS EXPRESSLY FORBIDDEN. COPYRIGHT (C) CONVEX 1985



TITLE: ATU  
DRAWING: 410-000125-300 REV D01

ABBR: ATU  
ENGR: CHASTAIN

REVISED: Tue Feb 12 18:26:49 1985 | PAGE: ATU.43

300-41612-396

U002A8 1P  
1B

C	
32	CONGND \G
31	QALIGN_BASE_A2<2>
30	QALIGN_BASE_A2<0>
29	QALIGN_BASE_A1<2>
28	QALIGN_BASE_A1<0>
27	QALIGN_BASE_B2<3>
26	QALIGN_BASE_B2<1>
25	QALIGN_BASE_B1<3>
24	CONGND \G
23	QALIGN_BASE_B1<0>
22	QALIGN_REG_EN<2>*
21	QALIGN_REG_EN<0>*
20	QAT_CTL<2>
19	QATFDAT_EN
18	QPREP_LC
17	QJUMP_SEL3<2>
16	CONGND \G
15	QJUMP_SEL2<2>
14	QJUMP_SEL2<0>
13	QJUMP_SEL1<1>
12	QJUMP_SEL0<2>
11	QJUMP_SEL0<1>
10	QNEXT_ADDR<9>*
09	QNEXT_ADDR<7>*
08	CONGND \G
07	QNEXT_ADDR<4>*
06	QNEXT_ADDR<2>*
05	QNEXT_ADDR<0>*
04	QBCONST<2>
03	QBCONST<1>
02	QFSPARE
01	QB_ADD

B	
32	
31	
30	
29	
28	
27	
26	
25	
24	
23	
22	
21	
20	
19	
18	
17	
16	
15	
14	
13	
12	
11	
10	
09	
08	
07	
06	
05	
04	
03	
02	
01	

A	
32	QALIGN_BASE_A2<3>
31	QALIGN_BASE_A2<1>
30	QALIGN_BASE_A1<3>
29	QALIGN_BASE_A1<1>
28	CONGND \G
27	QALIGN_BASE_B2<2>
26	QALIGN_BASE_B2<0>
25	QALIGN_BASE_B1<2>
24	QALIGN_BASE_B1<1>
23	QALIGN_REG_EN<3>*
22	QALIGN_REG_EN<1>*
21	QMEMREQ_CODE<2>
20	CONGND \G
19	QACONST_EN
18	QDISPATCH
17	QJUMP_SEL3<1>
16	QJUMP_SEL3<0>
15	QJUMP_SEL2<1>
14	QJUMP_SEL1<2>
13	QJUMP_SEL1<0>
12	CONGND \G
11	QJUMP_SEL0<0>
10	QNEXT_ADDR<8>*
09	QNEXT_ADDR<6>*
08	QNEXT_ADDR<5>*
07	QNEXT_ADDR<3>*
06	QNEXT_ADDR<1>*
05	QBCONST<3>
04	CONGND \G
03	QBCONST<0>
02	QROT_CI
01	QSEL_STRIDE

THIS DOCUMENT CONTAINS INFORMATION PROPRIETARY TO CONVEX COMPUTER CORPORATION (CONVEX). USE OR DISCLOSURE WITHOUT THE WRITTEN PERMISSION OF AN OFFICER OF CONVEX IS EXPRESSLY FORBIDDEN. COPYRIGHT (C) CONVEX 1985



CONVEX

TITLE: ATU  
DRAWING: 410-000125-300 REV D01

ABBR: ATU  
ENGR: CHASTAIN

REVISED: Tue Feb 12 18:31:03 1985 | PAGE: ATU.44

300-41612-396  
U002K61P  
1B

C	CONGND1 \G
32	
31	
30	
29	
28	
27	
26	
25	
24	
23	
22	
21	
20	
19	
18	
17	
16	
15	
14	
13	
12	
11	
10	
09	
08	
07	
06	
05	
04	
03	
02	
01	

B	
32	
31	
30	
29	
28	
27	
26	
25	
24	
23	
22	
21	
20	
19	
18	
17	
16	
15	
14	
13	
12	
11	
10	
09	
08	
07	
06	
05	
04	
03	
02	
01	

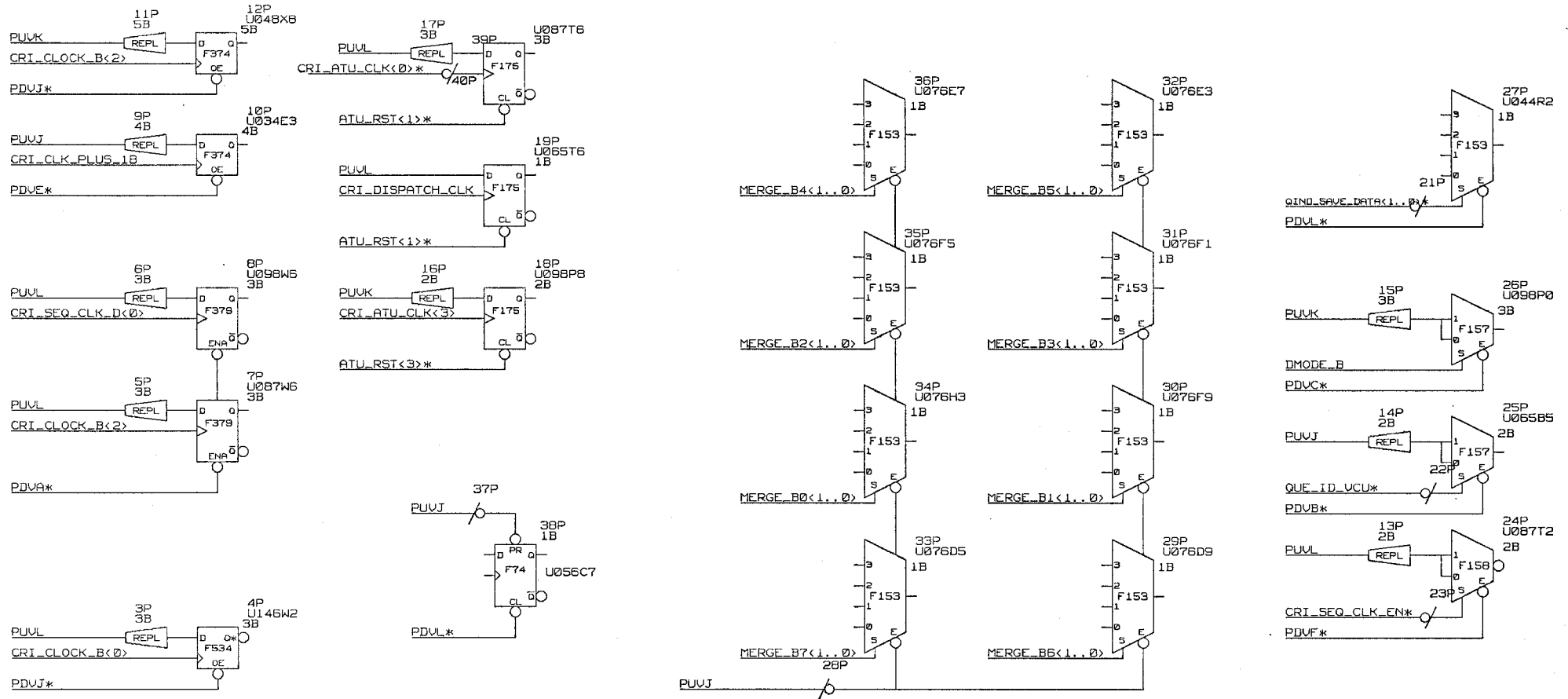
A	
32	<input type="radio"/> QRA<8>*
31	<input type="radio"/> QRA<8>*
30	<input type="radio"/> QRA<7>*
29	<input type="radio"/> QRA<6>*
28	CONGND \G
27	<input type="radio"/> QRA<5>*
26	<input type="radio"/> QRA<4>*
25	<input type="radio"/> QRA<3>*
24	<input type="radio"/> QRA<2>*
23	<input type="radio"/> QRA<1>*
22	<input type="radio"/> QRA<0>*
21	<input type="radio"/> ROM_ADDR<9>*
20	CONGND \G
19	<input type="radio"/> ROM_ADDR<8>*
18	<input type="radio"/> ROM_ADDR<7>*
17	<input type="radio"/> ROM_ADDR<6>*
16	<input type="radio"/> ROM_ADDR<5>*
15	<input type="radio"/> ROM_ADDR<4>*
14	<input type="radio"/> ROM_ADDR<3>*
13	<input type="radio"/> ROM_ADDR<2>*
12	2P CONGND \G
11	<input type="radio"/> ROM_ADDR<1>*
10	<input type="radio"/> ROM_ADDR<0>*
09	
08	
07	
06	<input type="radio"/> ROM_DIS*
05	<input type="radio"/> EXT_ROM_OE*
04	CONGND1 \G
03	<input type="radio"/> CRI_ROM_CLK<2>
02	
01	<input type="radio"/> CRI_ROM_CLK<3>

THIS DOCUMENT CONTAINS INFORMATION PROPRIETARY TO CONVEX COMPUTER CORPORATION (CONVEX). USE OR DISCLOSURE WITHOUT THE WRITTEN PERMISSION OF AN OFFICER OF CONVEX IS EXPRESSLY FORBIDDEN. COPYRIGHT (C) CONVEX 1985



TITLE: ATU	ABBR: ATU
DRAWING: 410-000125-300 REV D01	ENGR: CHASTAIN
REVISED: Tue Feb 12 18:31:43 1985	PAGE: ATU.46





D  
C  
B  
A

THIS DOCUMENT CONTAINS INFORMATION PROPRIETARY TO CONVEX COMPUTER CORPORATION (CONVEX). USE OR DISCLOSURE WITHOUT THE WRITTEN PERMISSION OF AN OFFICER OF CONVEX IS EXPRESSLY FORBIDDEN. COPYRIGHT (C) CONVEX 1985



TITLE: ATU	ABBR: ATU
DRAWING: 410-000125-300 Rev D01	ENGR: MATULKA
REVISED: Mon Feb 18 11:18:56 1985	PAGE: ATU.48

8 7 6 5 4 3 2 1

D

D

C

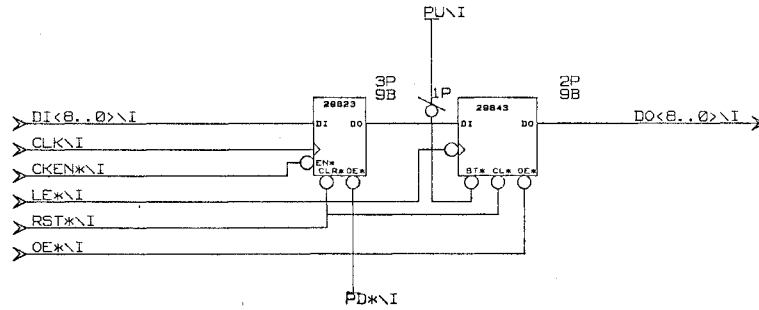
C

B

B

A

A



DEFINE  
 X\_FIRST=0  
 X\_STEP=SIZE

THIS DOCUMENT CONTAINS INFORMATION PROPRIETARY TO CONVEX COMPUTER CORPORATION (CONVEX). USE OR DISCLOSURE WITHOUT THE WRITTEN PERMISSION OF AN OFFICER OF CONVEX IS EXPRESSLY FORBIDDEN. COPYRIGHT (C) CONVEX 1985



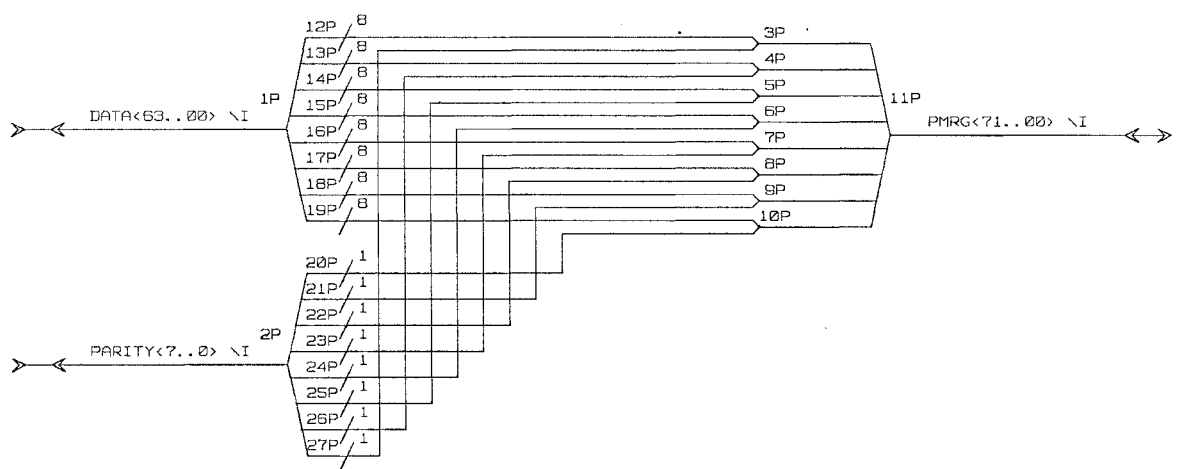
TITLE: MRGREG  
 DRAWING: 410-000125-300 REV D01

ABBR: MRGREG  
 ENGR: CHASTAIN

REVISED: Mon Feb 25 12:43:07 1985 | PAGE: ATU.49 MRGREG.1 OF 1

3 2 1

8 7 6

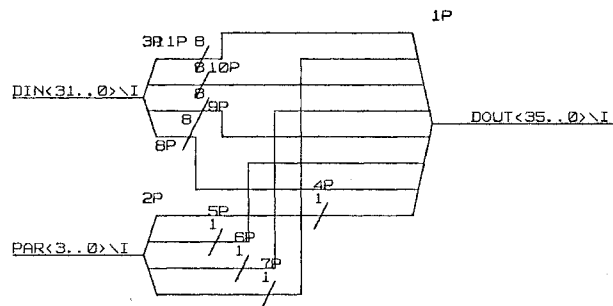


DEFINE  
X\_FIRST=0  
X\_STEP=SIZE

THIS DOCUMENT CONTAINS INFORMATION PROPRIETARY TO CONVEX COMPUTER CORPORATION (CONVEX). USE OR DISCLOSURE WITHOUT THE WRITTEN PERMISSION OF AN OFFICER OF CONVEX IS EXPRESSLY FORBIDDEN. COPYRIGHT (C) CONVEX 1985



TITLE: PMRG	ABBR: PMRG
DRAWING: 410-000125-300 REV D01	ENGR: CHASTAIN
REVISED: Mon Feb 25 12:44:28 1985	PAGE: ATU.50 PMRG.1 OF 1



DEFINE  
 X\_FIRST=0  
 X\_STEP=SIZE

THIS DOCUMENT CONTAINS INFORMATION PROPRIETARY TO CONVEX COMPUTER CORPORATION (CONVEX). USE OR DISCLOSURE WITHOUT THE WRITTEN PERMISSION OF AN OFFICER OF CONVEX IS EXPRESSLY FORBIDDEN. COPYRIGHT (C) CONVEX 1985



TITLE: PMRG32  
 DRAWING: 410-000125-300 REV D00

ABBR: PMRG32  
 ENGR: CHASTAIN

REVISED: Mon Feb 25 12:52:40 1985 | PAGE: ATU.51 PMRG32.1 OF 1

8

7

6

3

2

1